

A-INFO

A-INFO Microwave Microwave/RF Components

The public WeChat ID: 英联微波

Scan the qr code to follow A-INFO:



Pin Switch
Coupler
Filter
Hybrid
Power Divider

Review www.ainfoinc.com for updated product info.

Chengdu AINFO Inc. is an ISO 9001:2008 certified manufacturer.



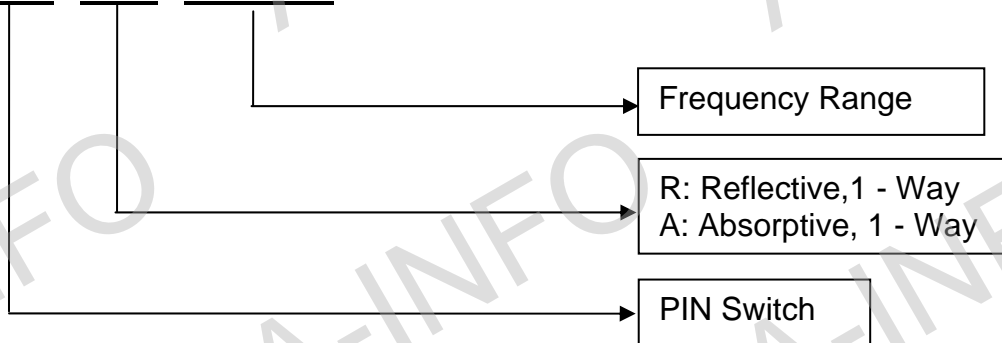
For the most updated info., pls. visit www.ainfoinc.com or send e-mail to sales@ainfoinc.com

PIN SWITCH.....	1
HIGH POWER PIN SWITCH.....	13
DIRECTIONAL COUPLER.....	18
DUAL-DIRECTIONAL COUPLER.....	23
HYBRID - CONNECTOR.....	24
BAND PASS FILTER - CONNECTOR.....	27
LOW PASS FILTER - CONNECTOR.....	40
HIGH PASS FILTER.....	42
POWER DIVIDER - CONNECTOR.....	44
ULTRA-WIDEBAND POWER DIVIDER.....	56
RETURN LOSS VS. VSWR.....	60
DBM-VOLTS-WATTS CONVERSION.....	61

PIN Switch

Explanation to P/N

KG-1R-0230



. Reflective Switches

1. SPST

P/N	Freq. Range (GHz)	Insertion Loss (dB) max	VSWR max	Isolation (dB) min	Switching Speed (ns) max	Power Handling (W) max	Case
KG-1R-0230	0.02-3	2.2	2.0	60	200	0.2-0.5	W101,W102,W103
KG-1R-025	0.02-0.5	1.2	1.5	80	100-500	0.2-0.5	W101,W102,W103
KG-1R-510	0.5-1	1.3	1.5	80	100	0.2-0.5	W101,W102,W103
KG-1R-1020	1-2	1.0	1.5	80	50	0.2	W101,W102,W103
KG-1R-2040	2-4	1.2	1.5	80	50	0.2-0.5	W101,W102,W103
KG-1R-20180	2-18	2.2	2.2	55	50	0.2	W101,W102,W103
KG-1R-20180H	2-18	3.1	2.2	80	50	0.2	W101,W102,W103
KG-1R-4080	4-8	1.5	1.6	60	50	0.2-0.5	W101,W102,W103
KG-1R-80120	8-12	1.8	1.7	60	50	0.2-0.5	W101,W102,W103
KG-1R-90	9	4.0	2.0	60	100	1.0	-
KG-1R-120180	12-18	2.2	2.0	60	50	0.2-0.5	W101,W102,W103

2. SP2T (SPDT)

P/N	Freq. Range (GHz)	Insertion Loss (dB)max	VSWR max	Isolation (dB)min	Switching Speed (ns)max	Power Handling (W) max	Case
KG-2R-0230	0.02-3	2.3	2.0	60	200	0.2-0.5	W201,W202,W203
KG-2R-025	0.02-0.5	1.3	1.5	80	100-500	0.2-0.5	W201,W202,W203
KG-2R-460	0.4-6	2.0	1.5	60	100	0.2	-
KG-2R-510	0.5-1	1.4	1.5	80	100	0.2-0.5	W201,W202,W203
KG-2R-5180	0.5-18	3.5	2.0	60	50	0.2	-
KG-2R-5200_Cu	0.5-20	4.5	2.0	60	50	0.2-0.5	-
KG-2R-5200	0.5-20	4.5	2.0	60	50	0.2-0.5	-
KG-2R-95195	0.95-1.95	1.3	1.5	60	50	0.2-0.5	-
KG-2R-1020	1-2	1.0	1.5	80	50	0.2-0.5	W201,W202,W203
KG-2R-2040	2-4	1.3	1.5	80	50	0.2-0.5	W201,W202,W203
KG-2R-20180	2-18	2.6	2.0	60	50	0.2	W202
KG-2R-20180H	2-18	3.6	2.2	80	50	0.2-1	W202
KG-2R-4080	4-8	1.6	1.6	60	50	0.2-0.5	W201,W202,W203
KG-2R-80120	8-12	2.0	1.7	60	50	0.2-0.5	W201,W202,W203
KG-2R-120180	12-18	2.5	2.0	60	50	0.2-0.5	W201,W202,W203

3. SP3T

P/N	Freq. Range (GHz)	Insertion Loss (dB)max	VSWR max	Isolation (dB)min	Switching Speed (ns)max	Power Handling (W) max	Case
KG-3R-025	0.02-0.5	1.4	1.5	80	100-500	0.2-0.5	W301,W302
KG-3R-0230	0.02-3	2.4	2.0	60	200	0.2-0.5	W301,W302
KG-3R-510	0.5-1	1.5	1.5	80	100	0.2-0.5	W301,W302
KG-3R-1020	1-2	1.2	1.5	80	50	0.2-0.5	W301,W302
KG-3R-2040	2-4	1.3	1.5	80	50	0.2-0.5	W301,W302
KG-3R-20180	2-18	2.7	2.2	60	50	0.2-0.5	W301,W302
KG-3R-20180H	2-18	2.7	2.2	80	50	0.2-0.5	W301,W302
KG-3R-4080	4-8	1.7	1.6	60	50	0.2-0.5	W301,W302
KG-3R-80120	8-12	2.0	1.7	60	50	0.2-0.5	W301,W302
KG-3R-120180	12-18	2.6	2.0	60	50	0.2-0.5	W301,W302

4. SP4T

P/N	Freq. Range (GHz)	Insertion Loss (dB)max	VSWR max	Isolation (dB)min	Switching Speed (ns)max	Power Handling (W) max	Case
KG-4R-025	0.02-0.5	1.5	1.5	80	100-500	0.2-0.5	W401,W402,W403
KG-4R-0230	0.02-3	2.5	2.0	60	200	0.2-0.5	W401,W402,W403
KG-4R-510	0.5-1	1.6	1.5	80	100	0.2-0.5	W401,W402,W403
KG-4R-5180	0.5-18	3.8	2.0	60	50	0.2	-
KG-4R-5200	0.5-20	5.2	2.0	60	50	0.5	-
KG-4R-1020	1-2	1.2	1.5	80	50	0.2-0.5	W401,W402,W403
KG-4R-2040	2-4	1.4	1.5	80	50	0.2-0.5	W401,W402,W403
KG-4R-20180	2-18	2.7	2.2	60	50	0.2-0.5	W401,W402,W403
KG-4R-20180H	2-18	2.9	2.2	80	50	0.2-0.5	W401W402,W403
KG-4R-4080	4-8	1.8	1.6	60	50	0.2-0.5	W401,W402,W403
KG-4R-80120	8-12	2.0	1.7	60	50	0.2-0.5	W401,W402,W403
KG-4R-120180	12-18	2.8	2.0	60	50	0.2-0.5	W401,W402,W403

5. SP5T

P/N	Freq. Range (GHz)	Insertion Loss (dB)max	VSWR max	Isolation (dB)min	Switching Speed (ns)max	Power Handling (W) max	Case
KG-5R-025	0.02-0.5	1.5	1.5	80	100-500	0.2-0.5	W501,W502
KG-5R-0230	0.02-3	2.6	2.0	60	200	0.2-0.5	W501,W502
KG-5R-510	0.5-1	1.6	1.5	80	100	0.2-0.5	W501,W502
KG-5R-1020	1-2	1.3	1.5	80	50	0.2-0.5	W501,W502
KG-5R-2040	2-4	1.5	1.5	80	50	0.2-0.5	W501,W502
KG-5R-20180	2-18	2.8	2.2	60	50	0.2-0.5	W501,W502
KG-5R-20180H	2-18	3.1	2.2	80	50	0.2-0.5	W501,W502
KG-5R-4080	4-8	1.8	1.6	60	50	0.2-0.5	W501,W502
KG-5R-80120	8-12	2.1	1.7	60	50	0.2-0.5	W501,W502
KG-5R-120180	12-18	3.6	2.0	60	50	0.2	W502

6. SP6T

P/N	Freq. Range (GHz)	Insertion Loss (dB)max	VSWR max	Isolation (dB)min	Switching Speed (ns)max	Power Handling (W) max	Case
KG-6R-025	0.02-0.5	1.6	1.5	80	100-500	0.2-0.5	W602,W603
KG-6R-0230	0.02-3	2.7	2.0	60	200	0.2-0.5	W602,W603
KG-6R-510	0.5-1	1.7	1.5	80	100	0.2-0.5	W602,W603
KG-6R-1020	1-2	1.4	1.5	80	50	0.2-0.5	W602,W603
KG-6R-2040	2-4	1.6	1.5	80	50	0.2-0.5	W602,W603
KG-6R-20180	2-18	4.0	2.2	60	50	0.2-0.5	W602,W603
KG-6R-20180H	2-18	4.1	2.2	80	50	0.2-0.5	W602,W603
KG-6R-4080	4-8	2.8	1.8	60	50	0.2-0.5	W602,W603
KG-6R-80120	8-12	2.1	1.7	60	50	0.2-0.5	W602,W603
KG-6R-120180	12-18	3.2	2.0	60	50	0.2-0.5	W602,W603

7. SP7T

P/N	Freq. Range (GHz)	Insertion Loss (dB)max	VSWR max	Isolation (dB)min	Switching Speed (ns)max	Power Handling (W) max	Case
KG-7R-025	0.02-0.5	1.7	1.5	80	100-500	0.2-0.5	W702,W703
KG-7R-0230	0.02-3	2.8	2.0	60	200	0.2-0.5	W702,W703
KG-7R-510	0.5-1	1.8	1.5	80	100	0.2-0.5	W702,W703
KG-7R-1020	1-2	1.4	1.5	80	50	0.2-0.5	W702,W703
KG-7R-2040	2-4	1.6	1.5	80	50	0.2-0.5	W702,W703
KG-7R-20180	2-18	3.2	2.2	60	50	0.2-0.5	W702,W703
KG-7R-20180H	2-18	3.4	2.2	80	50	0.2-0.5	W702,W703
KG-7R-4080	4-8	2.0	1.6	60	50	0.2-0.5	W702,W703
KG-7R-80120	8-12	2.3	1.7	60	50	0.2-0.5	W702,W703
KG-7R-120180	12-18	3.3	2.0	60	50	0.2-0.5	W702,W703

8. SP8T

P/N	Freq. Range (GHz)	Insertion Loss (dB)max	VSWR max	Isolation (dB)min	Switching Speed (ns)max	Power Handling (W) max	Case
KG-8R-025	0.02-0.5	1.7	1.5	80	100-500	0.2-0.5	W802
KG-8R-0230	0.02-3	3.0	2.0	60	200	0.2-0.5	W802
KG-8R-510	0.5-1	1.8	1.5	80	100	0.2-0.5	W802
KG-8R-625	0.6-2.5	2.5	2.5	60	100	0.1	-
KG-8R-1020	1-2	1.4	1.5	80	50	0.2-0.5	W802
KG-8R-2040	2-4	1.7	1.5	80	50	0.2-0.5	W802
KG-8R-20180	2-18	5.2	2.2	60	100	0.2-0.5	W802
KG-8R-20180H	2-18	4.8	2.2	80	100	0.2	W802
KG-8R-4080	4-8	2.2	1.6	60	50	0.2-0.5	W802
KG-8R-60180	6-18	5.2	2.2	60	100	0.2	-
KG-8R-80120	8-12	3.2	2.0	60	50	0.2-0.5	-
KG-8R-120180	12-18	4.3	2.0	60	50	0.2	-

. Absorptive Switch

1. SPST

P/N	Freq. Range (GHz)	Insertion Loss (dB)max	VSWR max	Isolation (dB)min	Switching Speed (ns)max	Power Handling (W) max	Case
KG-1A-025	0.02-0.5	1.4	1.5	80	100-500	0.2	W101,W102,W103
KG-1A-0230	0.02-3	3.1	2.2	60	50	0.2	W101,W102,W103
KG-1A-0308	0.03-0.08	1.5	1.3	-	2ms	-	-
KG-1A-5200	0.5-20	3.8	2.0	60	50	0.2	-
KG-1A-1020	1-2	1.0	1.5	80	50	0.2	W101,W102,W103
KG-1A-2040	2-4	1.6	1.5	80	50	0.2	W101,W102,W103
KG-1A-20180	2-18	3.1	2.2	60	50	0.2	W101,W102,W103
KG-1A-4080	4-8	2.0	1.6	60	50	0.2	W101,W102,W103
KG-1A-5260	5.2-6.0	1.3	1.5	60	50	0.2	-
KG-1A-6595	6.5-9.5	2.0	1.5	70	50	0.2	-
KG-1A-80120	8-12	2.5	1.5	60	50	0.2	W101,W102,W103
KG-1A-100200	10-20	4.0	2.1	60	50	0.2	-
KG-1A-120180	12-18	3.2	2.0	60	50	0.2	W101,W102,W103

2. SP2T (SPDT)

P/N	Freq. Range (GHz)	Insertion Loss (dB)max	VSWR max	Isolation (dB)min	Switching Speed (ns)max	Power Handling (W) max	Case
KG-2A-025	0.02-0.5	1.5	1.5	80	200	0.2	W202
KG-2A-0230	0.02-3	2.5	2.0	60	200	0.2	W201,W202,W203
KG-2A-460	0.4-6	2.2	1.5	60	200	0.2	-
KG-2A-510	0.5-1	1.6	1.5	80	100	0.2	W201,W202,W203
KG-2A-5180	0.5-18	3.5	2.0	60	50	0.2	-
KG-2A-1020	1-2	1.2	1.5	80	50	0.2	W201,W202,W203
KG-2A-2040	2-4	1.8	1.5	80	50	0.2	W201,W202,W203
KG-2A-20180	2-18	3.2	2.2	60	50	0.2	W201,W202,W203
KG-2A-4080	4-8	2.0	1.6	60	50	0.2	W201,W202,W203
KG-2A-80120	8-12	2.6	1.5	60	50	0.2	W201,W202,W203
KG-2A-120180	12-18	3.2	2.0	60	50	0.2	W201,W202,W203
KG-2A-240	24	4.0	-	60	100	0.2	-

3. SP3T

P/N	Freq. Range (GHz)	Insertion Loss (dB)max	VSWR max	Isolation (dB)min	Switching Speed (ns)max	Power Handling (W) max	Case
KG-3A-015	0.01-0.5	1.6	1.4	80	0.5ms	0.2	-
KG-3A-025	0.02-0.5	1.5	1.5	80	100-500	0.2	W301,W302
KG-3A-510	0.5-1	1.6	1.5	80	100	0.2	W301,W302
KG-3A-1020	1-2	1.4	1.5	80	50	0.2	W301,W302
KG-3A-2040	2-4	1.8	1.5	80	50	0.2	W301,W302
KG-3A-20180	2-18	3.6	2.2	60	50	0.2	-
KG-3A-3135	3.1-3.5	1.3+/-0.4	1.4	100	250	0.2	-
KG-3A-4080	4-8	2.1	1.6	60	50	0.2	W301,W302
KG-3A-80120	8-12	2.7	1.5	60	50	0.2	W301,W302
KG-3A-120180	12-18	3.3	2.0	60	50	0.2	W301,W302

4. SP4T

P/N	Freq. Range (GHz)	Insertion Loss (dB)max	VSWR max	Isolation (dB)min	Switching Speed (ns)max	Power Handling (W) max	Case
KG-4A-025	0.02-0.5	1.6	1.5	80	100-500	0.2	W401,W402,W403
KG-4A-026	0.02-0.6	1.8	1.4	80	500	0.5	-
KG-4A-0230	0.02-3	2.7	2.0	60	500	0.2	W401,W402,W403
KG-4A-510	0.5-1	1.7	1.5	80	100	0.2	W401,W402,W403
KG-4A-822	0.8-2.2	2.5	1.5	70	5-10us	0.2	-
KG-4A-1020	1-2	1.4	1.5	80	50	0.2	W401,W402,W403
KG-4A-2040	2-4	1.8	1.5	80	50	0.2	W401.W402,W403
KG-4A-20180	2-18	3.7	2.2	60	100	0.2	-
KG-4A-2060	2-6	2.6	1.6	70	100	0.2	-
KG-4A-3767	3.7-6.7	2.8	1.5	80	50	0.2	-
KG-4A-4080	4-8	2.2	1.6	60	50	0.2	W401,W402,W403
KG-4A-80120	8-12	2.8	1.5	60	50	0.2	W401,W402,W403
KG-4A-120180	12-18	3.5	2.0	60	50	0.2	W401,W402,W403
KG-4A-240	24	4.6	-	60	100	0.2	-

5. SP5T

P/N	Freq. Range (GHz)	Insertion Loss (dB)max	VSWR max	Isolation (dB)min	Switching Speed (ns)max	Power Handling (W) max	Case
KG-5A-025	0.02-0.5	1.6	1.5	80	100-500	0.2	W501,W502
KG-5A-0210	0.02-1	2.2	1.8	60	500	0.2	-
KG-5A-0230	0.02-3	2.8	2.0	60	200	0.2	W501,W502
KG-5A-510	0.5-1	1.7	1.5	80	100	0.2	W501,W502
KG-5A-1020	1-2	1.5	1.5	80	50	0.2	W501,W502
KG-5A-2040	2-4	1.9	1.5	80	50	0.2	W501,W502
KG-5A-20180	2-18	3.6	2.2	60	50	0.2	-
KG-5A-4080	4-8	2.3	1.6	60	50	0.2	W501,W502
KG-5A-80120	8-12	2.9	1.5	60	50	0.2	W501,W502
KG-5A-120180	12-18	4.5	2.0	60	50	0.2	W501,W502

6. SP6T

P/N	Freq. Range (GHz)	Insertion Loss (dB)max	VSWR max	Isolation (dB)min	Switching Speed (ns)max	Power Handling (W) max	Case
KG-6A-025	0.02-0.5	1.7	1.5	80	100-500	0.2	W602,W603
KG-6A-0230	0.02-3	2.9	2.0	60	200	0.2	W602,W603
KG-6A-510	0.5-1	1.8	1.5	80	100	0.2	W602,W603
KG-6A-1020	1-2	1.6	1.5	80	50	0.2	W602,W603
KG-6A-2040	2-4	2.0	1.5	80	50	0.2	W602,W603
KG-6A-20180	2-18	3.8	2.2	60	50	0.2	-
KG-6A-4080	4-8	2.8	1.8	60	50	0.2	W602,W603
KG-6A-80120	8-12	3.0	1.5	60	50	0.2	W602,W603
KG-6A-120180	12-18	4.8	2.0	60	50	0.2	W602,W603

7. SP7T

P/N	Freq. Range (GHz)	Insertion Loss (dB)max	VSWR max	Isolation (dB)min	Switching Speed (ns)max	Power Handling (W) max	Case
KG-7A-025	0.02-0.5	1.8	1.5	80	100-500	0.2-1	W702,W703
KG-7A-0230	0.02-3	3.0	2.0	60	200	0.2	W702,W703
KG-7A-510	0.5-1	1.9	1.5	80	100	0.2	W702,W703
KG-7A-8180	0.8-18	4.3	2.0	60	75	1.0	-
KG-7A-1020	1-2	1.6	1.5	80	50	0.2	W702,W703
KG-7A-2040	2-4	2.0	1.5	80	50	0.2	W702,W703
KG-7A-20180	2-18	4.2	2.2	60	50	0.2	-
KG-7A-4080	4-8	2.4	1.8	60	50	0.2	W702,W703
KG-7A-80120	8-12	3.1	1.5	60	50	0.2	W702,W703
KG-7A-120180	12-18	4.0	2.0	60	50	0.2	W702,W703

8. SP8T

P/N	Freq. Range (GHz)	Insertion Loss (dB)max	VSWR max	Isolation (dB)min	Switching Speed (ns)max	Power Handling (W) max	Case
KG-8A-025	0.02-0.5	1.9	1.5	80	100-500	0.2	W802
KG-8A-0230	0.02-3	3.2	2.0	60	200	0.2	W802
KG-8A-510	0.5-1	2.0	1.5	80	100	0.2	W802
KG-8A-1020	1-2	1.7	1.5	80	50	0.2	W802
KG-8A-2040	2-4	2.0	1.5	82	50	0.2	W802
KG-8A-4080	4-8	2.5	1.8	60	50	0.2	W802
KG-8A-80120	8-12	4.5	1.8	60	50	0.2	W802
KG-8A-120180	12-18	5.0	2.0	60	50	0.2	W802

9. SP12T

P/N	Freq. Range (GHz)	Insertion Loss (dB)max	VSWR max	Isolation (dB)min	Switching Speed (ns)max	Power Handling (W) max	Case
KG-12A-120180	12-18	6.0	2.5	60	50	0.2	-

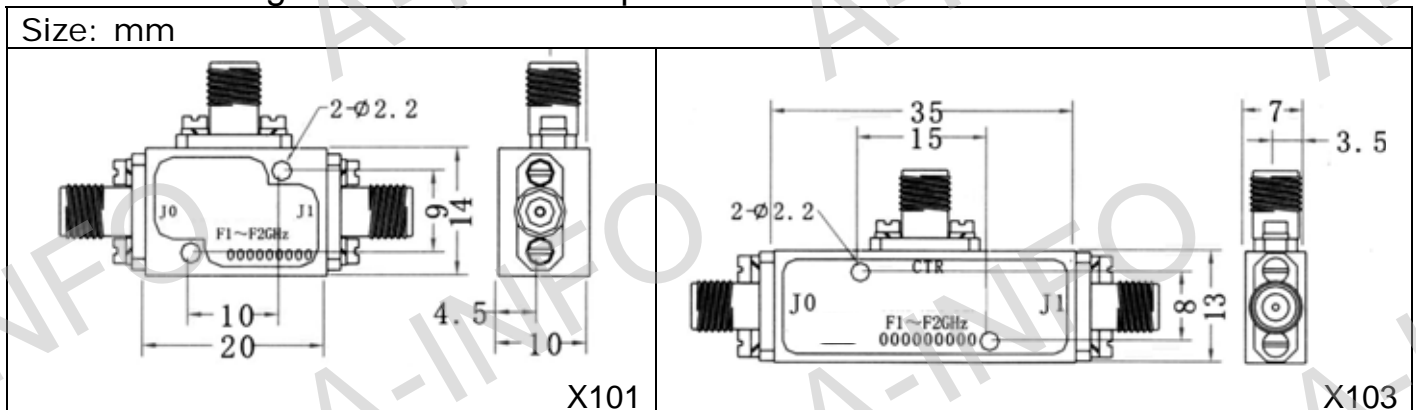
10. SP16T

P/N	Freq. Range (GHz)	Insertion Loss (dB)max	VSWR max	Isolation (dB)min	Switching Speed (ns)max	Power Handling (W) max	Case
KG-16A-460	0.4-6.0	5.0	2.0	60	200	0.2	-

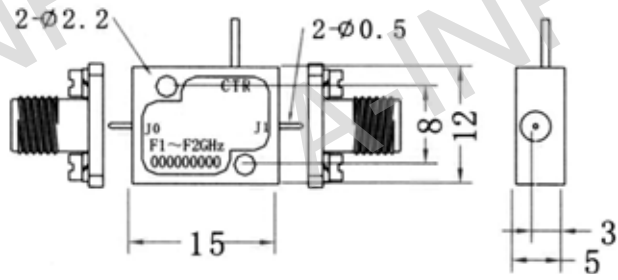
Notes: Customization is available

Outline Drawing –PIN Switch -Absorptive

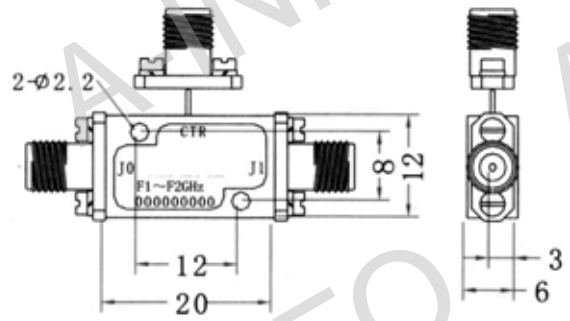
Size: mm



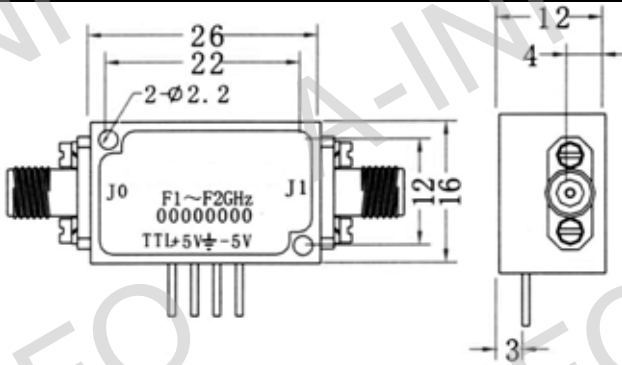
Size: mm



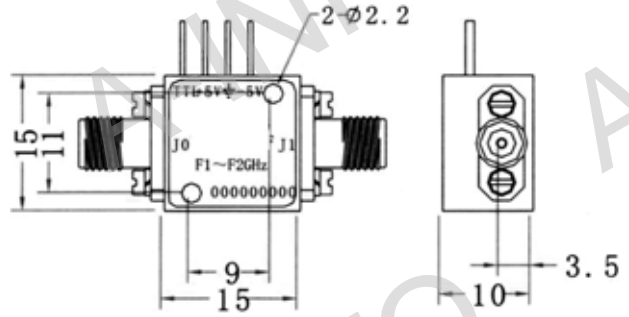
X104



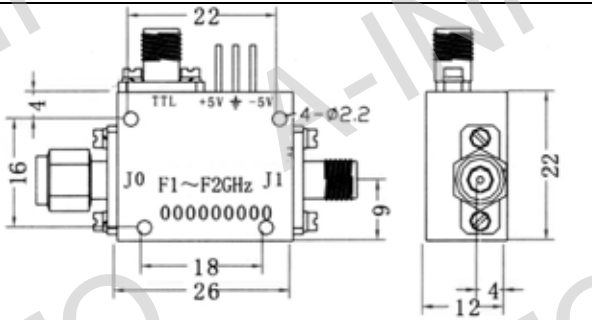
X105



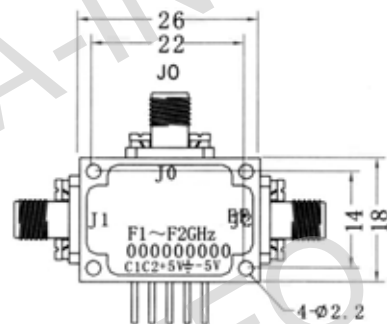
W101



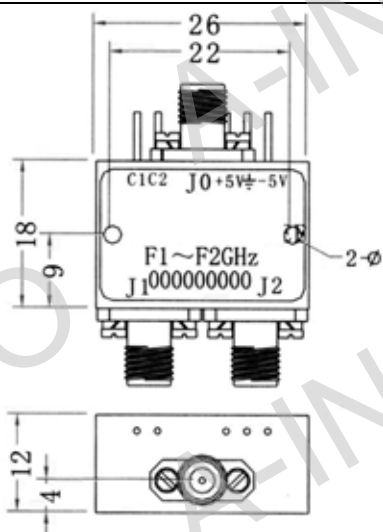
W102



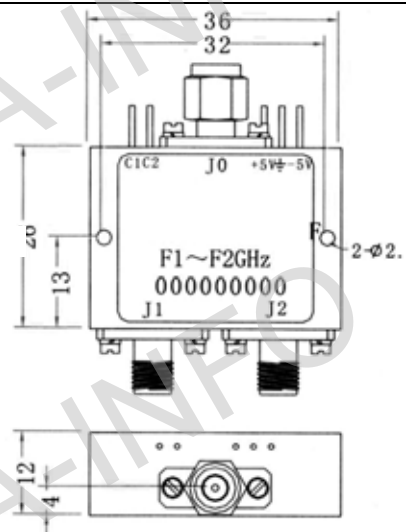
W103



W201

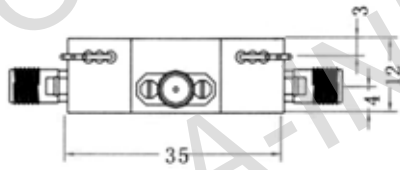
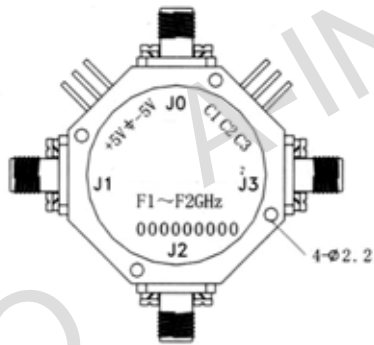


W202

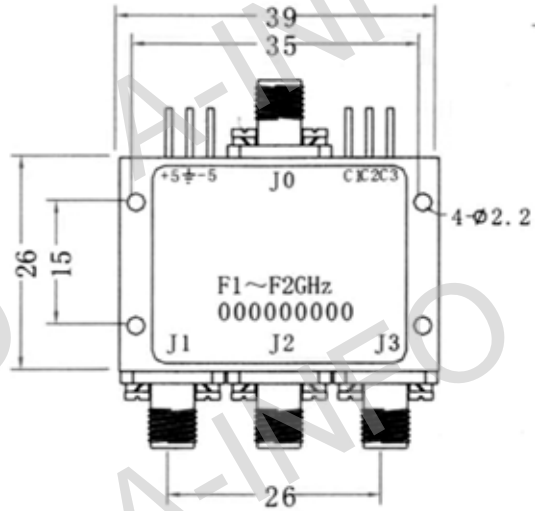


W203

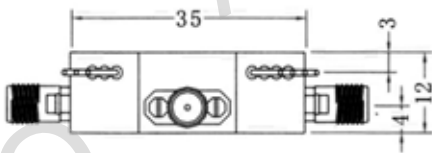
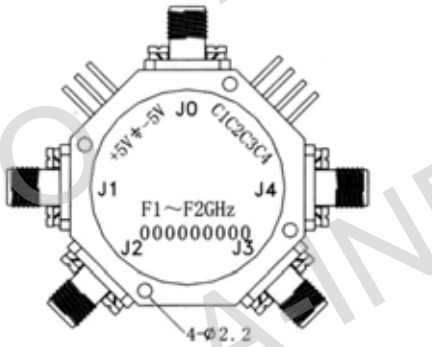
Size: mm



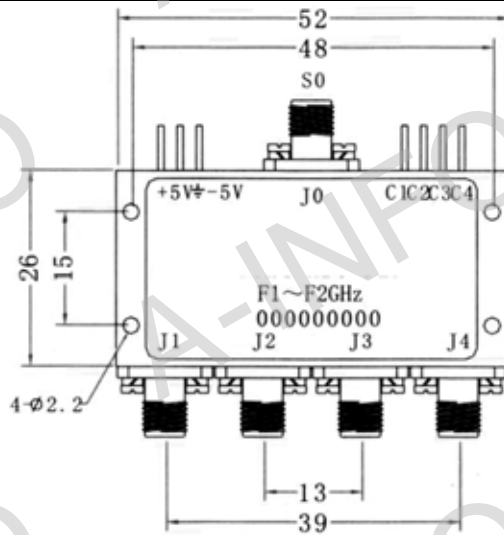
W301



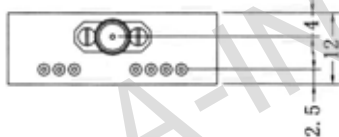
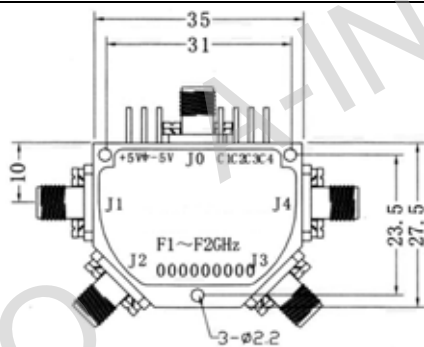
W302



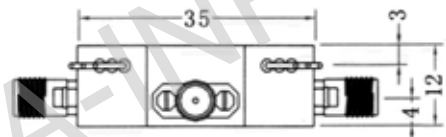
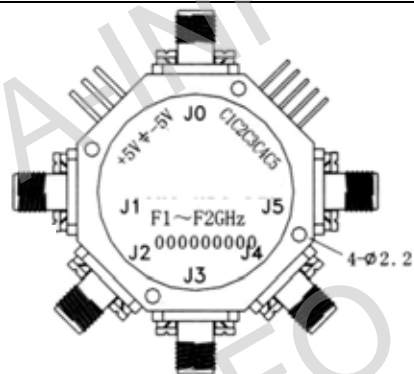
W401



W402

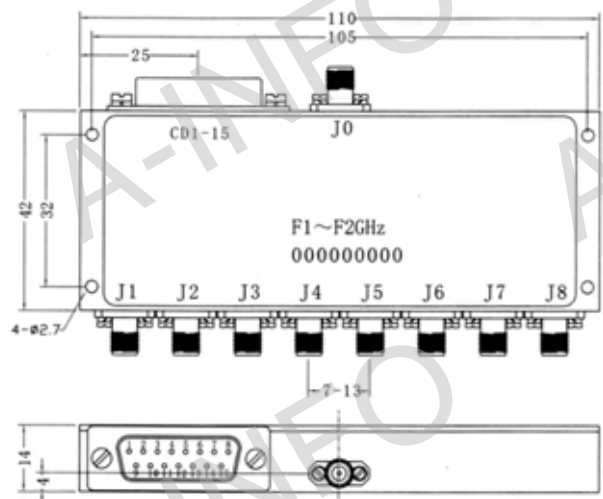
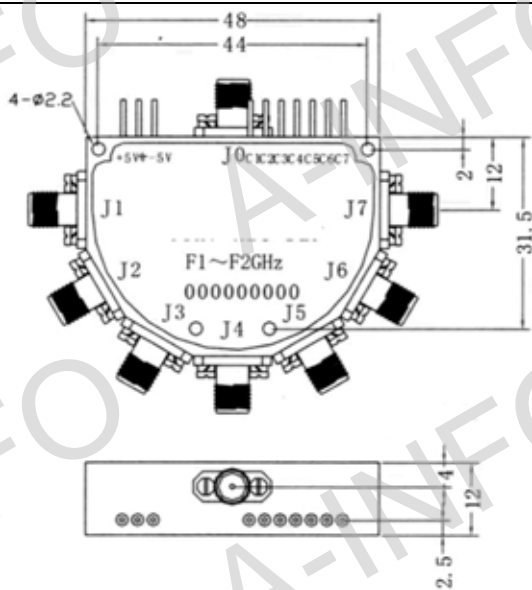
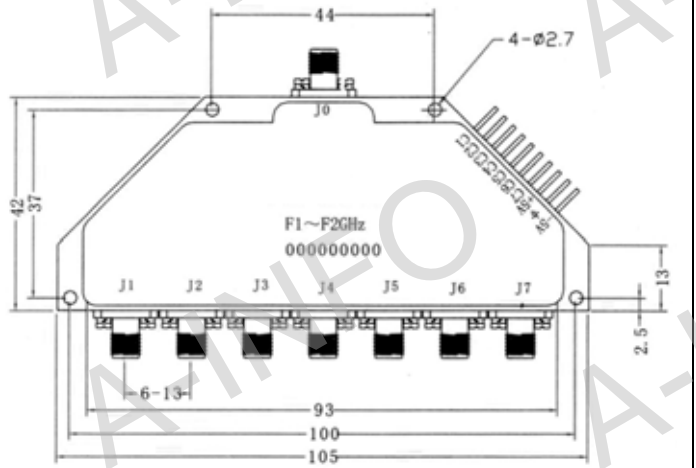
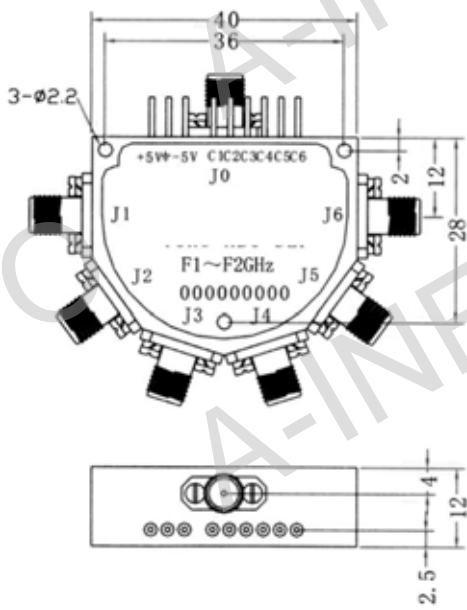
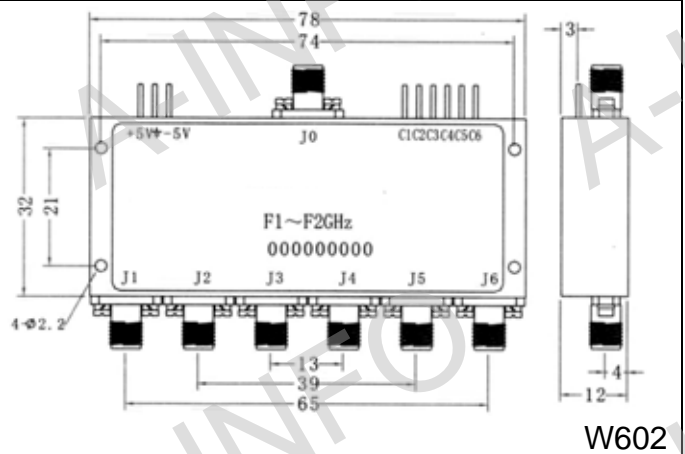
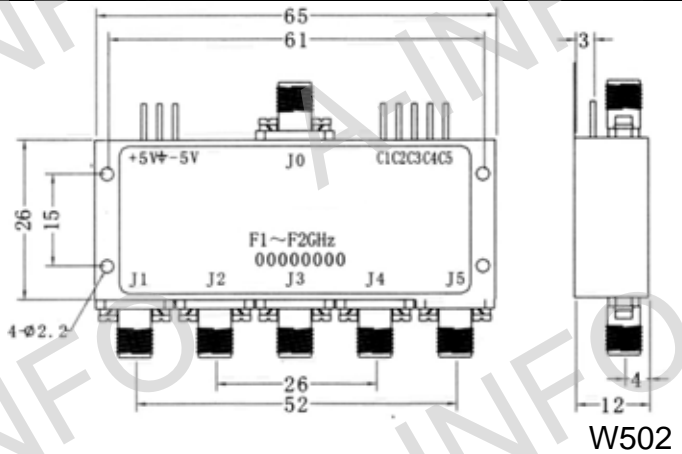


W403



W501

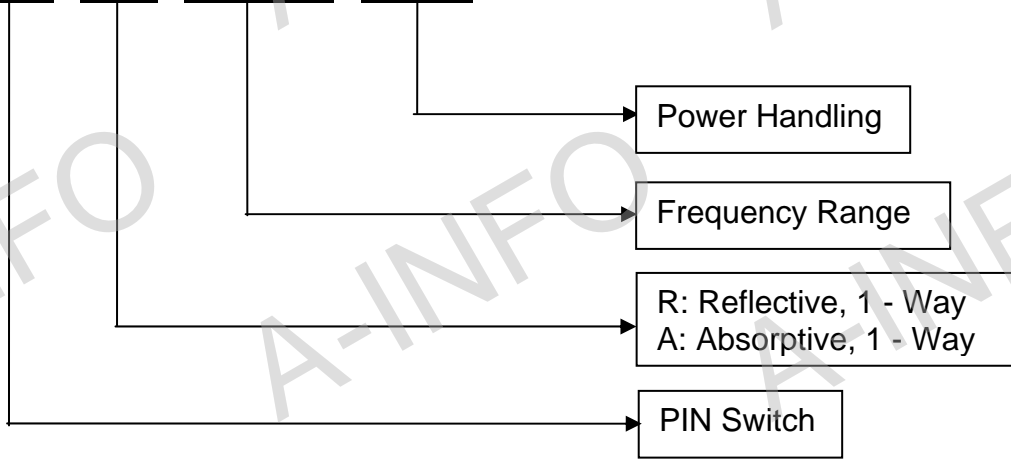
Size: mm



High Power PIN Switch

Explanation to P/N

KG-1R-1020-120



. Reflective Switches

1. SPST

P/N	Freq. Range (GHz)	Insertion Loss (dB) max	Isolation (dB) min	VSWR max	Switching Speed (us) max	Power Handling (W) CW max	Power Supply (V/mA)	Case
KG-1R-1020-120_N	1-2	0.5	30	1.3	0.8	120	+5/200, -48/20	HK-1
KG-1R-2040-120_N	2-4	0.6	26	1.4	0.8	120		HK-1
KG-1R-4080-120_N	4-8	0.7	20	1.7	0.8	120		HK-1
KG-1R-60180-120_N	6-18	1.4	20	1.8	0.8	120		HK-1

2. SP2T(SPDT)

P/N	Freq. Range (GHz)	Insertion Loss (dB) max	Isolation (dB) min	VSWR max	Switching Speed (us) max	Power Handling (W) CW max	Power Supply (V/mA)	Case
KG-2R-918-50	0.9-1.8	1.2	55	1.5	0.6	50	+5/200, -28~-70/20	HK-7
KG-2R-1020-120_N	1-2	1.0	30	1.3	2	120	+5/250, -48/50	HK-2
KG-2R-1530-120_N	1.5-3	0.6	30	1.4	0.8	120	+5/200, -48/20	HK-3
KG-2R-2040-120_N	2-4	1.0	30	1.5	2	120		HK-3
KG-2R-4080-120_N	4-8	1.2	28	1.7	2	120		HK-4
KG-2R-60180-120_N	6-18	1.5	26	1.8	2	120		HK-5
KG-2R-2040-100_N	2-4	1.3	55	1.5	0.5	100	+5/200, -28~-70/20	HK-7
KG-2R-2225	2.2-2.5	1.0	1.5	40	200	25	+12/100, -20 ~ -28/50	-
KG-2R-80120-100_N	8-12	1.8	25	1.8	0.5	100	+5/200, -28~-70/20	HK-8

3. SP4T

P/N	Freq. Range (GHz)	Insertion Loss (dB) max	Isolation (dB) min	VSWR max	Switching Speed (us) max	Power Handling (W) CW max	Power Supply (V/mA)	Case
KG-4R-0510-50	0.05-1	1.0	40	1.8	1	50	+5/500, -48/20	HK-6

4. SP6T

P/N	Freq. Range (GHz)	Insertion Loss (dB) max	Isolation (dB) min	VSWR max	Switching Speed (us) max	Power Handling (W) CW max	Power Supply (V/mA)	Case
KG-6R-275295-50	2.75-2.95	1.3	25	1.5	1ms	50	+5/500, -48/20	HK-9

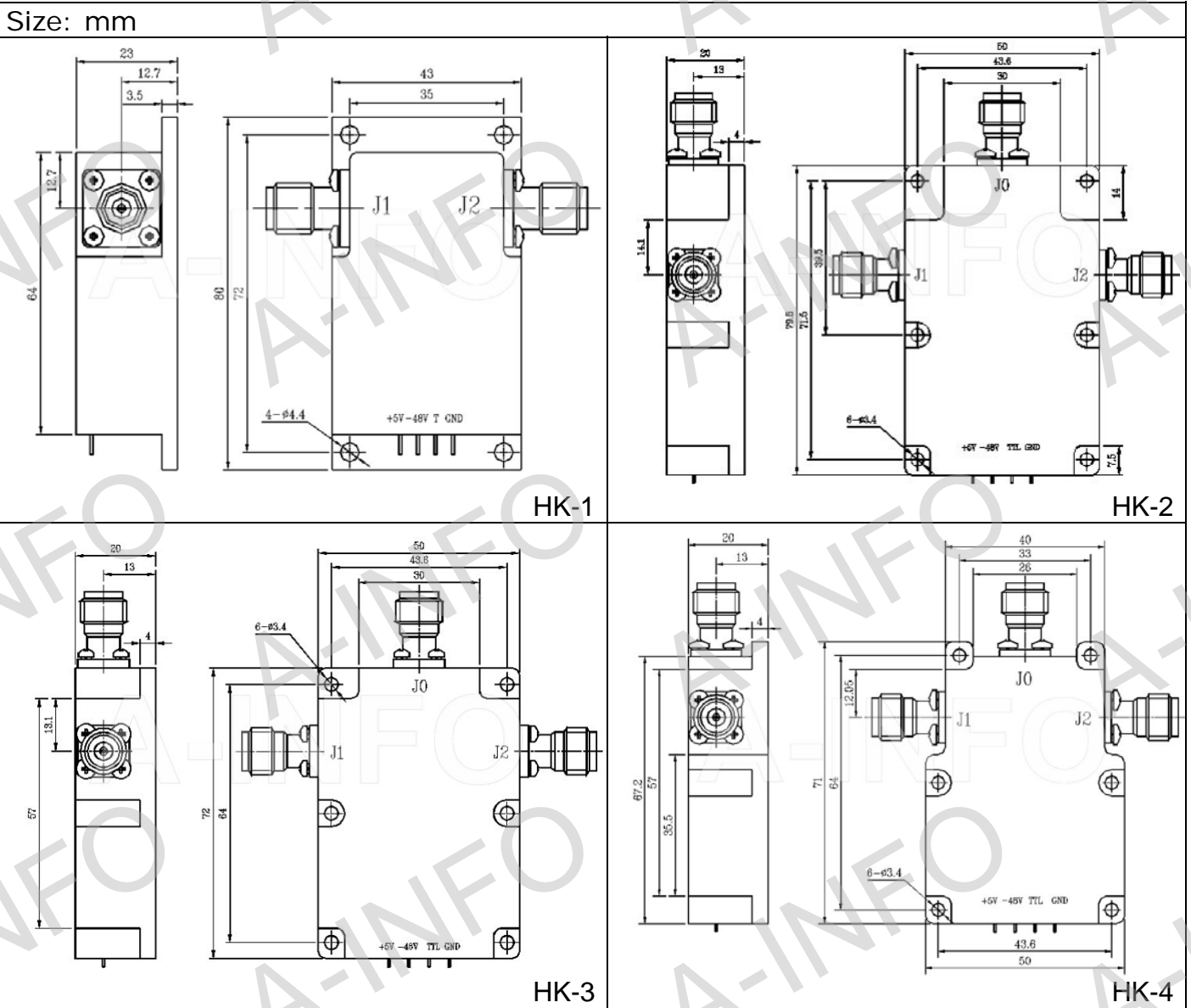
. Absorptive Switches

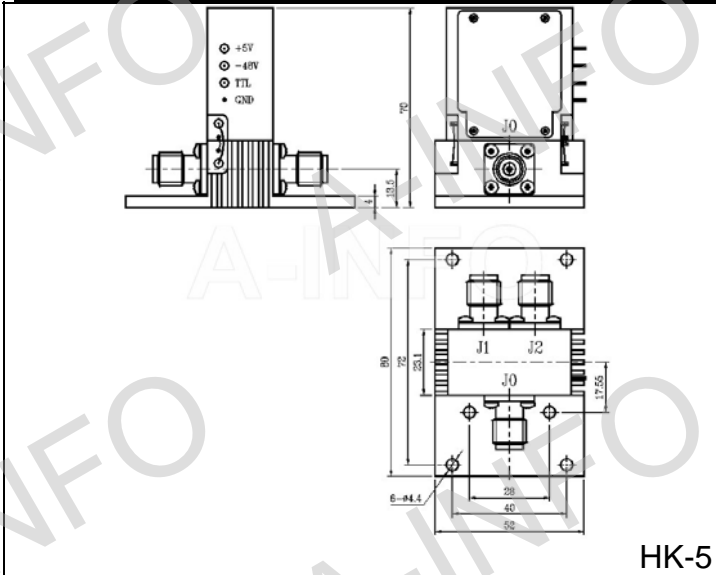
1. SP16T

P/N	Freq. Range (GHz)	Insertion Loss (dB) max	Isolation (dB) min	VSWR max	Switching Speed (us) max	Power Handling (W) CW max	Power Supply (V/mA)	Case
KG-16A-60150-4	6.0-15.0	8.0	2.1	35	1	2-4	-	-

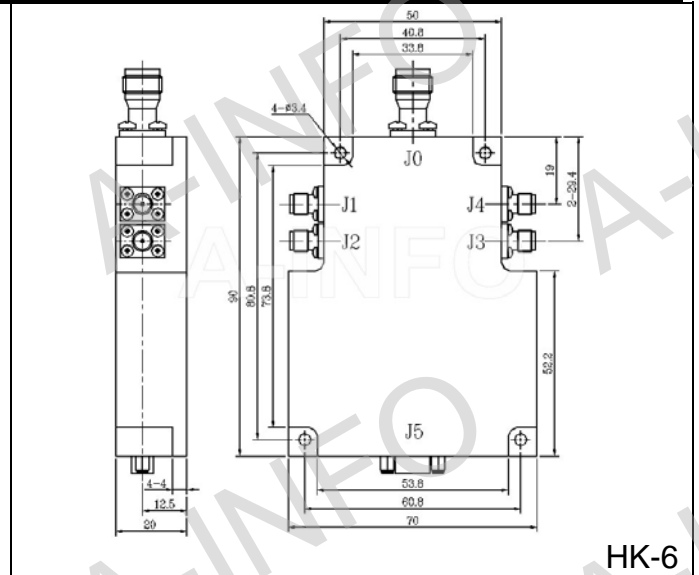
Notes: Customization is available

Outline Drawing – High Power PIN Switch



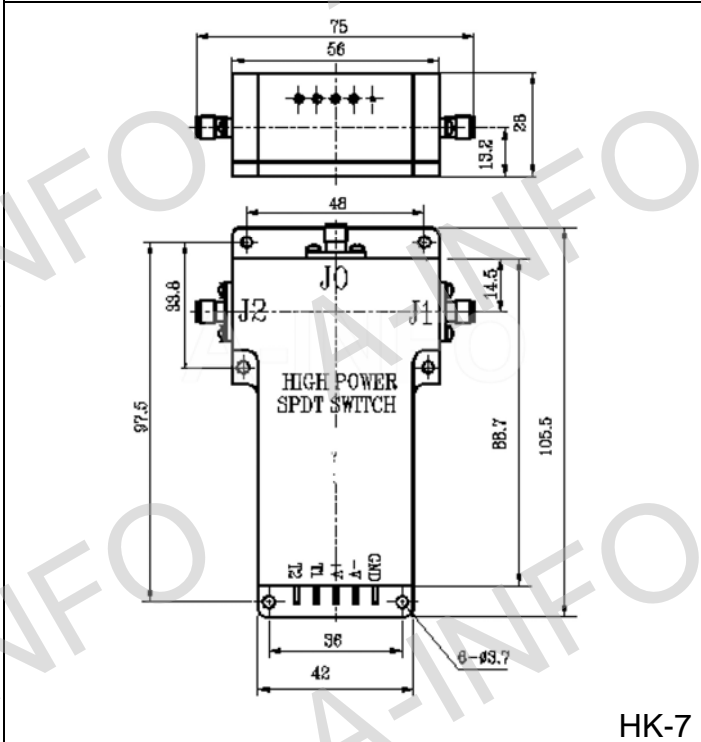


HK-5

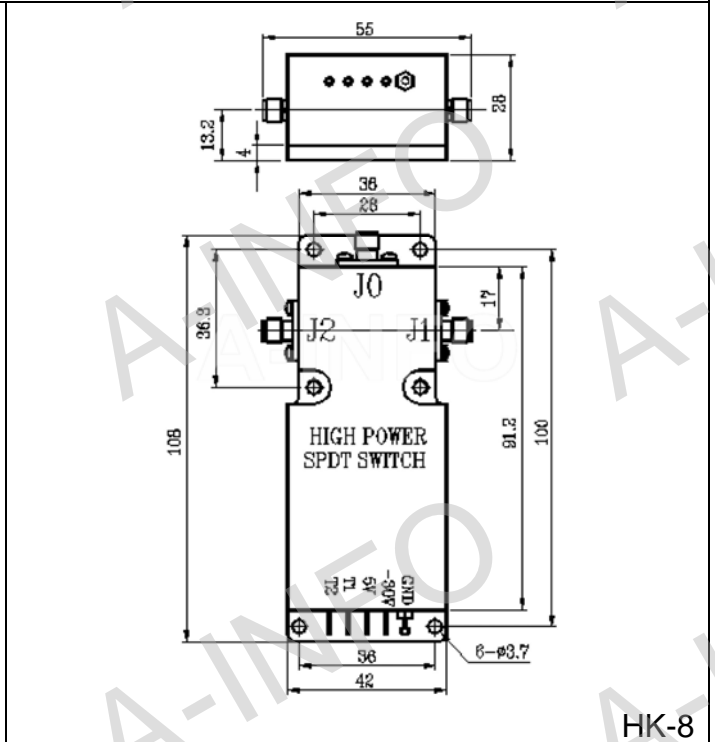


HK-6

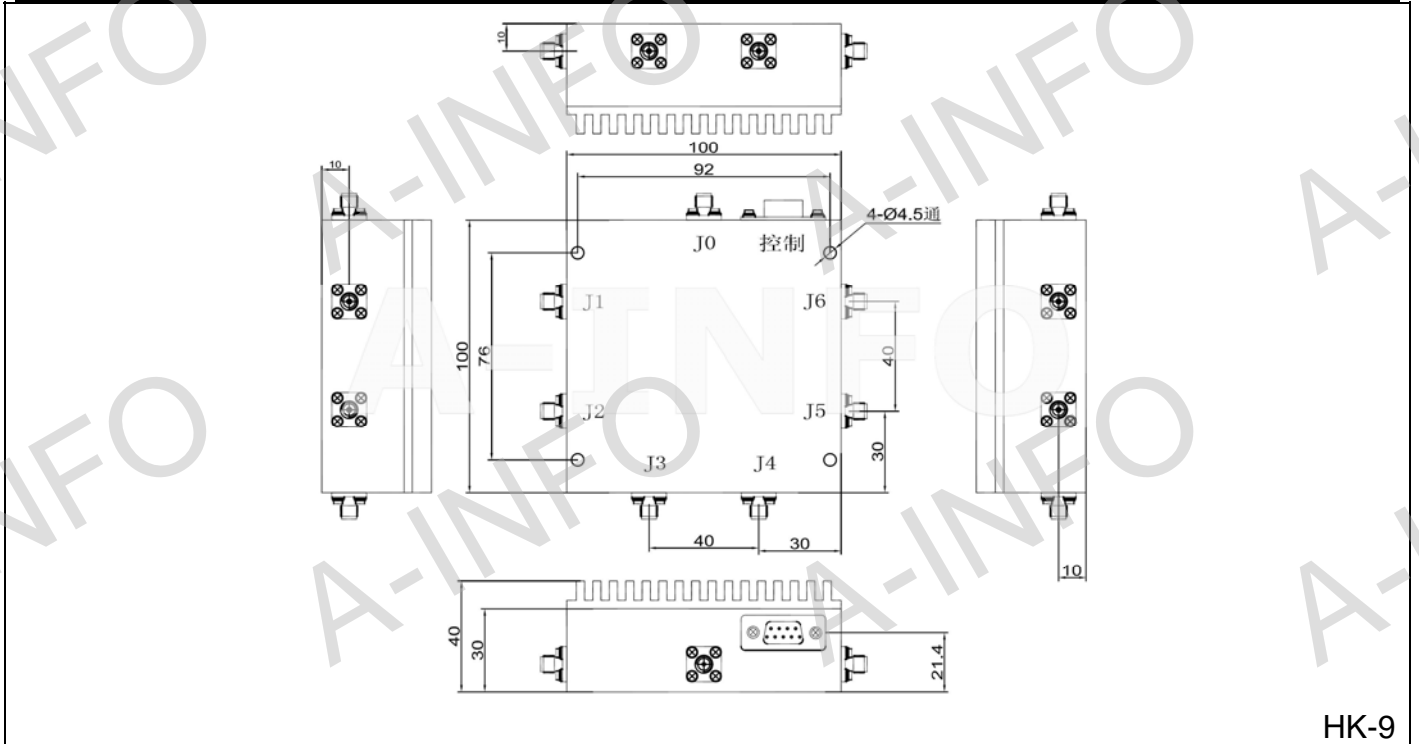
Size: mm



HK-7



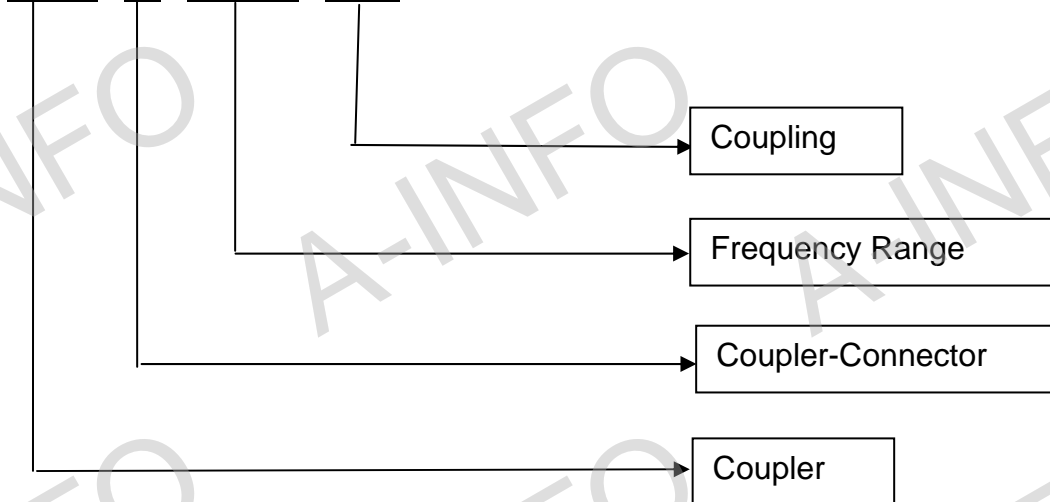
HK-8



Directional Coupler

Explanation to P/N:

OH-T-460-10



P/N	Frequency Range (GHz)	Nominal Coupling (dB)	Accuracy (dB)	Directivity (dB)	VSWR Main	VSWR Coupled	Insertion Loss (dB)
OH-T-00110-15	0.001-1.0	15	±0.5	25	1.2:1	1.2:1	1.2
OH-T-015-10	0.01-0.5	10	-	-	2.0:1	2.0:1	2.0
OH-T-0255-11	0.025-0.5	11	±0.5	15	1.5:1	1.5:1	1.2
OH-T-03088-6	0.03-0.088	6	-	-	1.3:1	1.3:1	0.6
OH-T-0410-10	0.04-1.0	10	-	20	-	-	2.0
OH-T-0410-20	0.04-1.0	20	-	18	-	-	1.5
OH-T-0520-10	0.05-2.0	10	-	-	1.5:1	1.5:1	2.4
OH-T-0520-11	0.05-2.0	11	-	-	1.5:1	1.5:1	2.4
OH-T-08174-9.5	0.08-0.174	9.5	±0.5	10	1.3:1	1.3:1	1.2
OH-T-460-10	0.4-6.0	10	±1.00	15	1.20:1	1.20:1	1.0
OH-T-4200-10	0.4-20.0	10	±1.00	14	1.35:1	1.40:1	1.7
OH-T-4200-16	0.4-20.0	16	±1.00	14	1.35:1	1.40:1	1.5
OH-T-4200-20	0.4-20.0	20	±1.00	14	1.35:1	1.40:1	1.0
OH-T-4200-30	0.4-20.0	30	±1.00	14	1.35:1	1.40:1	0.9
OH-T-4589-7	0.45-0.89	7	±1.0	-	1.3:1	1.3:1	2.0
OH-T-4589-10	0.45-0.89	10	±1.0	-	1.3:1	1.3:1	1.5
OH-T-4589-15	0.45-0.89	15	±1.0	-	1.3:1	1.3:1	1.2

P/N	Frequency Range (GHz)	Nominal Coupling (dB)	Accuracy (dB)	Directivity (dB)	VSWR Main	VSWR Coupled	Insertion Loss (dB)
OH-T-510-10	0.5-1.0	10	±1.0	20	1.2:1	1.2:1	0.5
OH-T-510-20	0.5-1.0	20	±1.0	20	1.2:1	1.2:1	0.5
OH-T-520-6	0.5-2.0	6	±1.0	20	1.2:1	1.2:1	0.5
OH-T-520-7	0.5-2.0	7	±1.0	18	1.2:1	1.2:1	0.5
OH-T-520-10	0.5-2.0	10	±0.8	20	1.2:1	1.2:1	0.45
OH-T-520-16	0.5-2.0	16	±1.0	20	1.2:1	1.2:1	0.5
OH-T-520-20	0.5-2.0	20	±1.0	20	1.3:1	1.3:1	0.4
OH-T-520-30	0.5-2.0	30	±1.0	18	1.3:1	1.3:1	0.4
OH-T-580-16	0.5-8.0	16	±0.80	20	1.25:1	1.25:1	0.85
OH-T-580-20	0.5-8.0	20	±0.80	20	1.25:1	1.25:1	0.8
OH-T-580-30	0.5-8.0	30	±0.80	20	1.25:1	1.25:1	0.7
OH-T-5124-10	0.5-12.4	10	±1.0	10	1.6:1	1.6:1	1.6
OH-T-5200-10	0.5-20.0	10	±0.80	16	1.35:1	1.35:1	1.7
OH-T-5200-16	0.5-20.0	16	±0.80	12	1.40:1	1.40:1	1.7
OH-T-5200-20	0.5-20.0	20	±0.80	10	1.40:1	1.40:1	1.1
OH-T-5200-30	0.5-20.0	30	±0.80	10	1.40:1	1.40:1	1.1
OH-T-5265-10	0.5-26.5	10	±1.00	14	1.40:1	1.40:1	2.2
OH-T-5265-16	0.5-26.5	16	±1.00	14	1.40:1	1.40:1	1.7
OH-T-5265-20	0.5-26.5	20	±1.00	14	1.40:1	1.40:1	1.7
OH-T-5265-30	0.5-26.5	30	±1.30	15	1.50:1	1.70:1	1.9
OH-T-5400-10	0.5-40.0	10	±1.50	11	1.70:1	1.80:1	2.9
OH-T-5400-16	0.5-40.0	16	±1.50	11	1.70:1	1.80:1	2.6
OH-T-640-10	0.6-4.0	10	±1.0	-	-	-	1.0
OH-T-810-10	0.8-1.0	10	±1.0	18	1.3:1	1.3:1	0.5
OH-T-820-6	0.8-2.0	6	±0.7	-	1.3:1	1.3:1	1.8
OH-T-825-6	0.8-2.5	6	±1.0	20	1.2:1	1.2:1	0.5
OH-T-825-10	0.8-2.5	10	±1.0	20	1.3:1	1.3:1	0.8
OH-T-825-20	0.8-2.5	20	-	10	1.3:1	1.3:1	0.5
OH-T-825-30	0.8-2.5	30	±1.0	18	1.3:1	1.3:1	0.4
OH-T-1014-20	1.0-1.4	20	±0.7	20	1.2:1	1.2:1	0.4
OH-T-1020-7	1.0-2.0	7	±1.0	10	1.3:1	1.3:1	0.8
OH-T-1020-10	1.0-2.0	10	±1.0	20	1.25:1	1.25:1	0.5
OH-T-1020-20	1.0-2.0	20	±1.0	10	1.2:1	1.2:1	0.8
OH-T-1020-25	1.0-2.0	25	±1.0	10	1.2:1	1.2:1	0.8
OH-T-1031-10	1.0-3.1	10	±0.75	20	1.2:1	1.2:1	0.5

P/N	Frequency Range (GHz)	Nominal Coupling (dB)	Accuracy (dB)	Directivity (dB)	VSWR Main	VSWR Coupled	Insertion Loss (dB)
OH-T-1040-6	1.0-4.0	6	±1.0	20	1.2:1	1.2:1	0.5
OH-T-1040-10	1.0-4.0	10	±1.0	20	1.2:1	1.2:1	0.5
OH-T-1040-20	1.0-4.0	20	±1.0	20	1.2:1	1.2:1	0.4
OH-T-1040-30	1.0-4.0	30	±1.0	20	1.2:1	1.2:1	0.4
OH-T-10200-10	1.0-20.0	10	±0.50	16	1.40:1	1.40:1	1.4
OH-T-10200-16	1.0-20.0	16	±0.50	16	1.40:1	1.40:1	1.4
OH-T-10200-20	1.0-20.0	20	±0.50	16	1.40:1	1.40:1	1.2
OH-T-10265-10	1.0-26.5	10	±0.50	14	1.40:1	1.40:1	1.6
OH-T-10265-16	1.0-26.5	16	±0.50	14	1.40:1	1.40:1	1.4
OH-T-10265-20	1.0-26.5	20	±0.50	14	1.40:1	1.40:1	1.2
OH-T-10400-10	1.0-40.0	10	±0.90	10	1.70:1	1.70:1	2.5
OH-T-10400-13	1.0-40.0	13	±0.80	11	1.60:1	1.60:1	2.3
OH-T-10400-20	1.0-40.0	20	±1.00	10	1.70:1	1.70:1	1.8
OH-T-10500-13	1.0-50.0	13	±1.25	10	1.90:1	1.90:1	2.8
OH-T-10650-13	1.0-65.0	13	±1.50	10	2.00:1	2.00:1	3.3
OH-T-17200-10	1.7-20.0	10	±0.55	15	1.35:1	1.35:1	1.3
OH-T-17200-16	1.7-20.0	16	±0.55	15	1.35:1	1.45:1	0.9
OH-T-17265-10	1.7-26.5	10	±0.60	14	1.45:1	1.45:1	1.5
OH-T-17265-16	1.7-26.5	16	±0.60	14	1.45:1	1.45:1	1.2
OH-T-2080-6	2.0-8.0	6	±1.0	20	1.2:1	1.2:1	0.5
OH-T-2080-10	2.0-8.0	10	±1.0	20	1.2:1	1.2:1	0.5
OH-T-2080-20	2.0-8.0	20	±1.0	20	1.2:1	1.2:1	0.4
OH-T-2080-30	2.0-8.0	30	±1.0	20	1.2:1	1.2:1	0.4
OH-T-20180-10	2.0-18.0	10	±0.50	15	1.40:1	1.40:1	1.3
OH-T-20180-16	2.0-18.0	16	±0.50	15	1.40:1	1.40:1	0.8
OH-T-20180-20	2.0-18.0	20	±0.50	15	1.40:1	1.40:1	0.7
OH-T-20200-10	2.0-20.0	10	±0.50	15	1.50:1	1.50:1	1.4
OH-T-20200-16	2.0-20.0	16	±0.50	15	1.50:1	1.50:1	1.1
OH-T-20200-20	2.0-20.0	20	±0.30	15	1.35:1	1.35:1	0.85
OH-T-20265-10	2.0-26.5	10	±0.70	13	1.50:1	1.50:1	1.7
OH-T-20265-16	2.0-26.5	16	±0.70	13	1.50:1	1.50:1	1.1
OH-T-20265-20	2.0-26.5	20	±0.70	13	1.50:1	1.50:1	1.0
OH-T-20400-10	2.0-20.0	10	±0.40	15	1.50:1	1.50:1	1.1
	20.0-40.0		±0.70	11	1.70:1	1.70:1	1.9

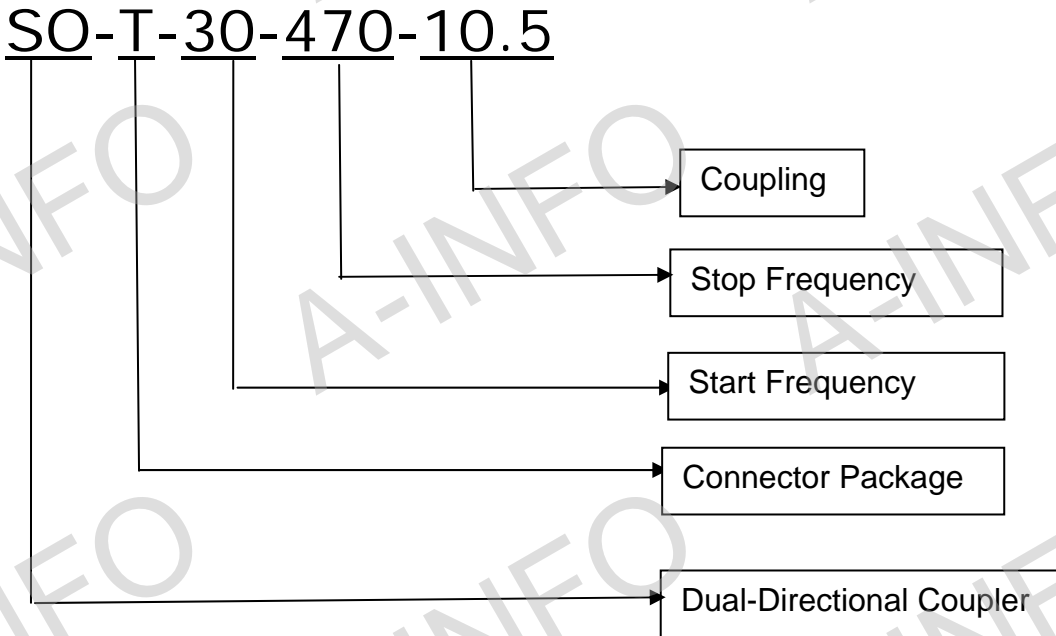
P/N	Frequency Range (GHz)	Nominal Coupling (dB)	Accuracy (dB)	Directivity (dB)	VSWR Main	VSWR Coupled	Insertion Loss (dB)
OH-T-20400-13	2.0-20.0	13	±0.40	15	1.50:1	1.50:1	1
	20.0-40.0		±0.70	11	1.70:1	1.70:1	1.7
OH-T-20400-16	2.0-20.0	16	±0.40	15	1.50:1	1.50:1	0.9
	20.0-40.0		±0.70	11	1.70:1	1.70:1	1.6
OH-T-20500-10	2.0-26.5	10	±0.60	13	1.50:1	1.50:1	2.0
	26.5-50.0		±0.80	10	1.80:1	1.80:1	2.0
OH-T-20500-13	2.0-20.0	13	±0.60	13	1.50:1	1.50:1	1.0
	26.5-50		±0.80	10	1.80:1	1.80:1	1.8
OH-T-20500-16	2.0-26.5	16	±0.60	13	1.50:1	1.50:1	1.7
	26.5-50.0		±0.80	10	1.80:1	1.80:1	1.7
OH-T-2223-6	2.2-2.3	6	±1.0	20	1.2:1	1.2:1	0.4
OH-T-2226-20	2.2-2.6	20	±1.0	20	1.2:1	1.2:1	0.5
OH-T-368372-20	3.68-3.72	20	±0.5	18	1.2:1	1.2:1	0.5
OH-T-3651-20	3.6-5.1	20	±1.0	10	1.4:1	1.4:1	0.5
OH-T-4060-20	4.0-6.0	20	±0.5	20	1.25:1	1.25:1	0.3
OH-T-40180-10	4.0-18.0	10	±1.0	12	1.5:1	1.5:1	1.0
OH-T-40180-20	4.0-18.0	20	±1.0	12	1.5:1	1.5:1	1.0
OH-T-60180-20	6.0-18.0	20	±1.0	12	1.5:1	1.5:1	1.0
OH-T-60200-10	6.0-20.0	10	±0.50	15	1.40:1	1.40:1	1.3
OH-T-60200-20	6.0-20.0	20	±0.50	15	1.40:1	1.40:1	0.7
OH-T-60200-30	6.0-20.0	30	±0.60	15	1.40:1	1.50:1	0.5
OH-T-60265-10	6.0-26.5	10	±0.50	14	1.50:1	1.50:1	0.7
OH-T-60265-20	6.0-26.5	20	±0.50	14	1.50:1	1.50:1	0.7
OH-T-60265-30	6.0-26.5	30	±0.50	14	1.50:1	1.50:1	0.6
OH-T-60400-10	6.0-40.0	10	±0.70	10	1.60:1	1.60:1	1.6
OH-T-60400-20	6.0-40.0	20	±0.70	12	1.70:1	1.70:1	1.3
OH-T-9096-6	9.0-9.6	6	±1.0	15	1.5:1	1.5:1	0.6
OH-T-90100-10	9.0-10.0	10	±0.75	15	1.5:1	1.5:1	0.7
OH-T-100400-10	10.0-40.0	10	±0.70	10	1.70:1	1.70:1	1.6
OH-T-100400-20	10.0-40.0	20	±0.70	10	1.70:1	1.70:1	1.2
OH-T-100400-30	10.0-40.0	30	±0.70	10	1.70:1	1.70:1	1.0
OH-T-100500-10	10.0-50.0	10	±0.50	10	1.80:1	1.80:1	1.9
OH-T-100500-20	10.0-50.0	20	±0.50	10	1.80:1	1.80:1	1.5
OH-T-100500-30	10.0-50.0	30	±0.50	10	1.80:1	1.80:1	1.6
OH-T-1091275-10	10.9-12.75	10	±1.0	12	1.5:1	1.5:1	1.0

P/N	Frequency Range (GHz)	Nominal Coupling (dB)	Accuracy (dB)	Directivity (dB)	VSWR Main	VSWR Coupled	Insertion Loss (dB)
OH-T-180265-10	18.0-26.5	10	±0.50	14	1.40:1	1.40:1	1.3
OH-T-180265-20	18.0-26.5	20	±0.50	14	1.40:1	1.40:1	0.8
OH-T-180265-30	18.0-26.5	30	±0.50	14	1.40:1	1.40:1	0.7
OH-T-180400-10	18.0-40.0	10	±0.40	12	1.70:1	1.70:1	1.5
OH-T-180400-20	18.0-40.0	20	±0.40	12	1.70:1	1.70:1	1.3
OH-T-180400-30	18.0-40.0	30	±0.70	12	1.70:1	1.70:1	1.0
OH-T-180500-10	18.0-50.0	10	±0.50	10	1.80:1	1.80:1	1.9
OH-T-180500-20	18.0-50.0	20	±0.50	10	1.80:1	1.80:1	1.5
OH-T-180500-30	18.0-50.0	30	±0.70	10	1.80:1	1.80:1	1.6
OH-T-265400-10	26.5-40.0	10	±0.60	12	1.70:1	1.70:1	1.5
OH-T-265400-20	26.5-40.0	20	±0.50	12	1.70:1	1.70:1	1.3
OH-T-265400-30	26.5-40.0	30	±0.60	12	1.70:1	1.70:1	1.1
OH-T-265500-10	26.5-50.0	10	±0.50	10	1.80:1	1.80:1	1.9
OH-T-265500-20	26.5-50.0	20	±0.80	10	1.80:1	1.80:1	1.7
OH-T-265500-30	26.5-50.0	30	±0.70	10	1.80:1	1.80:1	1.6

Notes: Customization is available

Dual-Directional Coupler

Explanation to P/N



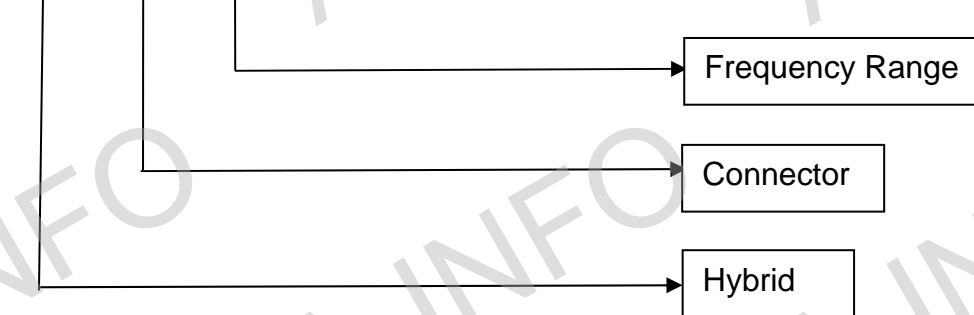
P/N	Freq. Range (GHz)	I.L. (dB)	Coupling (dB)	Accuracy (dB)	Directivity (dB)	VSWR	Power Handling (W)
SOB-T-0347-10.5-200SN	0.03-0.47	1.6	10.5±1.0	-	15-20	1.8	200
SOB-T-4710-10-200SN	0.47-1.0	1.6	10±1.5	-	15-20	1.8	200
SO-T-1020-10	1.0-2.0	1.6	10±1.2	-	15-20	1.8	200
SO-T-1031-31	1.0-3.1	1.1	28 - 34	-	-	1.4	300
SO-T-2030-10	2.0-3.0	1.6	10±1.2	-	15-20	1.8	200

Notes: Customization is available

Hybrid - Connector

Explanation to P/N

DQ-T-00055



.Narrowband 90 Degree Hybrid Coupler-Lumped

P/N	Frequency Range (MHz)	Amplitude Balance max (dB)	Phase Balance max(Deg.)	Isolation min (dB)	VSWR max	Insertion Loss max (dB)	Bandwidth
DQ-T-00055	0.5-500	±0.75	±2.0	25	1.3:1	0.3	10 % of Fc
DQ-T-23	200-300	±1.00	±3.0	18	1.5:1	0.75	Octave
DQ-T-34	300-400	±1.00	±4.0	15	1.6:1	1.0	Octave
DQ-T-510	500-1000	±0.80	±3.0	20	1.4:1	0.5	10 % of Fc
DQ-T-1015	1000-1500	±0.85	±4.0	18	1.5:1	0.7	10 % of Fc

.Narrowband 180 Degree Hybrid Junction-Lumped

P/N	Frequency Range (MHz)	Performance Bandwidth (MHz)	Isolation min(dB)	Insertion Loss (dB)	Amplitude Balance max (dB)	Phase Balance max (Deg.)	VSWR max
DQ-TJ-0015-180	1-500	1-500	25	1.0	±0.3	±3.0	1.3:1
DQ-TJ-0022-180	2-200	2-200	30	0.75	±0.2	±2.0	1.3:1
DQ-TJ-0054-180	5-400	5-10	30	1.5	±0.4	±3.0	1.5:1
		10-200	30	1.0	±0.3	±3.0	1.3:1
		200-400	30	1.5	±0.4	±3.0	1.5:1
DQ-TJ-0110-180	10-1000	10-500	25	1.5	±0.4	±3.0	1.3:1
		500-1000	20	2.0	±0.5	±4.0	1.5:1
DQ-TJ-15-180	100-500	100-500	25	1.2	±0.4	±3.0	1.3:1
DQ-TJ-510-180	500-1000	500-1000	20	2.0	±0.5	±4.0	1.5:1
DQ-TJ-520-180	500-2000	500-2000	17	3.0	±0.5	±5.0	1.5:1

.Broadband 90 Degree Hybrid Coupler-Lumped

P/N	Frequency Range (GHz)	Amplitude Balance max (dB)	Phase Balance max (Deg.)	Isolation min (dB)	VSWR max	Insertion Loss max (dB)
DQ-DJ-445	0.4-4.5	±0.50	±5.0	20	1.25:1	1.5
DQ-DJ-530	0.5-3.0	±0.40	±4.0	22	1.20:1	1.1
DQ-DJ-590	0.5-9.0	±0.50	±5.0	19	1.40:1	1.5
DQ-DJ-10124	1.0-12.4	±0.50	±6.0	17	1.30:1	1.6
DQ-DJ-10180	1.0-18.0	±0.80	±8.0	16	1.40:1	1.9
DQ-DJ-2040	2.0-4.0	±0.40	±4.0	20	1.20:1	0.6
DQ-DJ-2080	2.0-8.0	±0.35	±3.0	20	1.25:1	0.7
DQ-DJ-20180	2.0-18.0	±0.70	±8.0	15	1.50:1	1.6
DQ-DJ-20265	2.0-26.5	±1.10	±10.0	13	1.60:1	1.8
DQ-DJ-40124	4.0-12.4	±0.50	±4.0	18	1.40:1	1.2
DQ-DJ-40180	4.0-18.0	±0.60	±6.0	17	1.40:1	1.6
DQ-DJ-40265	4.0-26.5	±0.90	±10.0	14	1.70:1	1.8
DQ-DJ-60124	6.0-12.4	±0.35	±4.0	20	1.35:1	0.8
DQ-DJ-60200	6.0-20.0	±0.60	±5.0	17	1.50:1	1.2
DQ-DJ-60265	6.0-26.5	±0.70	±8.0	15	1.60:1	1.8
DQ-DJ-60400	6.0-40.0	±1.20	±10.0	13	1.70:1	2.0
DQ-DJ-100265	10.0-26.5	±0.55	±6.0	16	1.60:1	1.3
DQ-DJ-100400	10.0-40.0	±0.70	±10.0	13	1.70:1	2.0
DQ-DJ-180400	18.0-40.0	±0.80	±9.0	14	1.70:1	2.0

.Broadband 180 Degree Hybrid Coupler

Broadband 180 Degree Hybrid Coupler

P/N	Frequency Range (GHz)	Amplitude Balance max (dB)	Phase Balance max (Deg.)	Isolation min (dB)	VSWR max	Insertion Loss max (dB)
DQ-DJ-530-180	0.5-3.0	±0.70	±5.0	20	1.40:1	2.0
DQ-DJ-560-180	0.5-8.0	±0.70	±8.0	20	1.60:1	4.0
DQ-DJ-760-180	0.7-6.0	±0.60	±7.0	20	1.40:1	2.0
DQ-DJ-7124-180	0.7-12.4	±0.60	±8.0	20	1.60:1	3.3
DQ-DJ-7180-180	0.7-18.0	±0.60	±10.0	20	1.60:1	4.6
DQ-DJ-1060-180	1.0-6.0	±0.40	±7.0	20	1.40:1	1.6
DQ-DJ-10124-180	1.0-12.4	±0.40	±10.0	17	1.60:1	2.1
DQ-DJ-10180-180	1.0-18.0	±1.0	±12.0	15	1.70:1	3.1
DQ-DJ-2040-180	2.0-4.0	±0.30	±5.0	20	1.40:1	1.0
DQ-DJ-2080-180	2.0-8.0	±0.30	±6.0	20	1.40:1	1.1
DQ-DJ-20124-180	2.0-12.4	±0.50	±8.0	17	1.50:1	1.8
DQ-DJ-20180-180	2.0-18.0	±0.60	±10.0	16	1.60:1	2.8
DQ-DJ-20265-180	2.0-26.5	±1.20	±12.0	15	1.70:1	3.2
DQ-DJ-40124-180	4.0-12.4	±0.40	±6.0	18	1.45:1	1.8
DQ-DJ-40180-180	4.0-18.0	±0.70	±8.0	15	1.60:1	2.0
DQ-DJ-40265-180	4.0-26.5	±1.0	±11.0	15	1.70:1	3.2
DQ-DJ-60124-180	6.0-12.4	±0.40	±5.0	18	1.45:1	1.4
DQ-DJ-60180-180	6.0-18.0	±0.60	±8.0	15	1.60:1	1.5
DQ-DJ-60265-180	6.0-26.5	±0.70	±11.0	14	1.70:1	1.8
DQ-DJ-60400-180	6.0-40.0	±1.20	±12.0	13	1.90:1	3.5

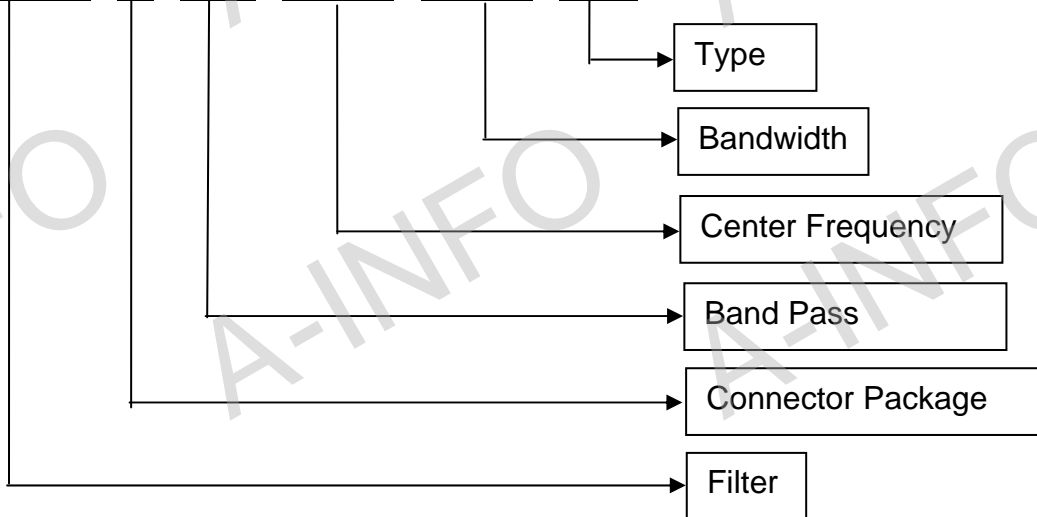
P/N	Frequency Range (GHz)	Amplitude Balance max (dB)	Phase Balance max (Deg.)	Isolation min (dB)	VSWR max	Insertion Loss max (dB)
DQ-DJ-60500-180	6.0-50.0	±1.50	±15.0	12	2.00:1	4.8
DQ-DJ-100400-180	10.0-40.0	±1.20	±12.0	15	1.90:1	3.5
DQ-DJ-100500-180	10.0-50.0	±1.50	±15.0	15	2.00:1	4.8
DQ-DJ-180400-180	18.0-40.0	±1.20	±12.0	13	1.90:1	3.5
DQ-DJ-180500-180	18.0-50.0	±1.50	±15.0	12	2.00:1	4.8
DQ-DJ-265400-180	26.5-40.0	±1.20	±12.0	13	1.90:1	3.5
DQ-DJ-265500-180	26.5-50.0	±1.50	±15.0	12	2.00:1	4.8

Notes: Customization is available

Band Pass Filter - Connector

Explanation to P/N

WBLB-T-BP-358-130-3C



.Cavity Band Pass Filter

P/N	Center Freq. (F0) (MHz)	1dB Pass Band (MHz)	I.L. at F0 (dB) Max	Rejection (dB) Min		VSWR Max
				@MHz	@MHz	
WBLB-T-BP-358-130-3C	358	293-423	0.8	-	-	2.0
WBLB-T-BP-360-130-9C	360	295-425	1.0 (BW)	60@210	60@510	1.7
WBLB-T-BP-465-5/3-4C	465	462.5-467.5 (3dB)	2.0	-	-	1.3
WBLB-T-BP-475-5/3-4C	475	472.5-477.5 (3dB)	2.0	-	-	1.3
WBLB-T-BP-485-5/3-4C	485	482.5-487.5 (3dB)	2.0	-	-	1.3
WBLB-T-BP-495-5/3-4C	495	492.5-497.5 (3dB)	2.0	-	-	1.3
WBLB-T-BP-580-40-6C	580	560-600	0.5 (BW)	-	-	1.3
WBLB-T-BP-720-40-5C	720	700-740	0.8	50@650	50@790	1.5
WBLB-T-BP-856-18/3-5C	856	847-865 (3dB)	1.8	30@832	30@880	-
WBLB-T-BP-868-6-3C	868	865-891	1.0 (BW)	65@700	65@1000	1.3
WBLB-T-BP-875-150-9C	875	800-950	1.0 (BW)	50@700	50@1050	1.5
WBLB-T-BP-897.5-35-9C	897.5	880-915	1.0 (BW)	30@860	30@935	1.3

Cavity Band Pass Filter Continued						
P/N	Center Freq. (FO) (MHz)	1dB Pass Band (MHz)	I.L. at FO (dB) Max	Rejection (dB) Min		VSWR Max
				@MHz	@MHz	
WBLB-T-BP-922-5/3-5C	922	919.5-924.5 (3dB)	2.5	40@915	40@930	1.5
WBLB-T-BP-998-6-3C	998	995-1001	2.0 (BW)	20@978	20@1018	1.5
WBLB-T-BP-1000-40-7C	1000	980-1020	1.2	80@880	80@1120	1.5
WBLB-T-BP-1000-100-9C	1000	950-1050	1.0	30@925	30@1075	1.5
WBLB-T-BP-1100-100-9C	1100	1050-1150	1.0	30@1025	30@1175	1.5
WBLB-T-BP-1175-350-13C	1175	1000-1350	3.0 (BW)	30@950	30@1400	1.5
WBLB-T-BP-1200-40-5C	1200	1180-1220	3.0	25@1140	25@1260	1.5
WBLB-T-BP-1200-100-9C	1200	1150-1250	1.0	45@1300	45@1300	1.5
WBLB-T-BP-1200-200-7C	1200	1100-1300	0.7	70@950	70@1450	1.5
WBLB-T-BP-1250-400-7C	1250	1050-1450	0.5	45@1600	45@1600	1.5
WBLB-T-BP-1297.5-725-10C	1297.5	935-1660	1.0	60@595	60@2000	1.7
WBLB-T-BP-1300-400-10C	1300	1100-1500	0.7	40@1600	40@1600	1.5
WBLB-T-BP-1300-13/3-3C	1300	1293.5-1306.5 (3dB)	1.2	30@ 1270	30@1330	1.4
WBLB-T-BP-1300-13/3-4C	1300	1293.5-1306.5(3dB)	1.4	40@ 1270	40@1330	1.4
WBLB-T-BP-1300-25/3-8C	1300	1987.5-1312.5(3dB)	1.5	40@1280	40@1320	-
WBLB-T-BP-1400-700-9C	1400	1050-1750	0.8	45@800	50@2130	2.0
WBLB-T-BP-1450-20-7C	1450	1440-1460	1.6	70@1400	75@1350	1.5
WBLB-T-BP-1495-490-9C	1495	1250-1740	1.0 (BW)	45@1045	45@1945	1.7
WBLB-T-BP-1560-320-13C	1560	1400-1720	3.0	40@1350	55@1800	1.5
WBLB-T-BP-1670-300-9C	1670	1520-1820	0.6 (BW)	60@1320	60@2020	1.3
WBLB-T-BP-1700-400-10C	1700	1500-1900	0.7	20@1450	75@2100	1.5
WBLB-T-BP-1723.5-21-5C	1723.5	1713-1734	1.0 (BW)	30@1626	30@1820	1.3
WBLB-T-BP-1747.5-75-5C	1747.5	1710-1785	1.5 (BW)	20@1690	20@1850	1.3
WBLB-T-BP-1800-40-5C	1800	1780-1820	3.0	25@1740	25@1860	1.5
WBLB-T-BP-1800-100-7C	1800	1750-1850	1.0	40@1700	40@1900	1.5
WBLB-T-BP-1900-400-9C	1900	1700-2100	1.0 (BW)	50@1500	50@2400	1.5
WBLB-T-BP-1970-19.7-5C	1970	1960-1979.7	1.0 (BW)	30@1830	30@2110	1.3
WBLB-T-BP-2000-100-11C	2000	1950-2050	1.8	60@1920	60@2080	1.5
WBLB-T-BP-2000-1000-C	2000	1500-2500	0.8	45@1300	50@2700	1.5
WBLB-T-BP-2022.5-145-13C	2022.5	1950-2095	0.8 (BW)	50@1850	50@2175	1.5
WBLB-T-BP-2050-300-9C	2050	1900-2200	0.6 (BW)	60@1700	60@2400	1.3

Cavity Band Pass Filter Continued						
P/N	Center Freq. (F0) (MHz)	1dB Pass Band (MHz)	I.L. at F0 (dB) Max	Rejection (dB) Min		VSWR Max
				@MHz	@MHz	
WBLB-T-BP-2100-200-5C	2100	2000-2200	0.5	50@1700	75@2600	1.5
WBLB-T-BP-2160-280-10C	2160	2020-2300	2.0	30@1870-1970	-	1.5
WBLB-T-BP-2232.5-135-13C	2232.5	2165-2300	0.8 (BW)	50@2065	50@2400	1.5
WBLB-T-BP-2250-100-7C	2250	2200-2300	1.0	45@2150	45@2350	1.5
WBLB-T-BP-2250-500-9C	2250	2000-2500	0.6	38@1875	45@2625	1.5
WBLB-T-BP-2300-700-7C	2300	1950-2650	0.7	38@1600	70@3000	1.5
WBLB-T-BP-2350-200-4C	2350	2250-2450	0.5 (BW)	-	-	1.3
WBLB-T-BP-2400-200-6C	2400	2300-2500	0.5	40@2205-	40@2605	1.5
WBLB-T-BP-2441-80-9C	2441	2401-2481	2.0 (BW)	55@2245	55@2620	1.3
WBLB-T-BP-2480-40-6C	2480	2460-2500	2.0	30@2440	30@2520	1.5
WBLB-T-BP-2450-300-7C	2450	2300-2600	1.0 (BW)	50@2000	50@2900	1.5
WBLB-T-BP-2500-200-5C	2500	2400-2600	0.6	50@2100	70@3000	1.5
WBLB-T-BP-2500-1000-11C	2500	2000-3000	0.5	50@1750	60@3250	1.5
WBLB-T-BP-2600-400-8C	2600	2400-2800	0.5	55@2200	60@3000	1.5
WBLB-T-BP-2700-200-5C	2700	2600-2800	0.8	45@2300	65@3200	1.5
WBLB-T-BP-2730-1250-9C	2730	2105-3355	1.0 (BW)	25@1830	25@3630	1.7
WBLB-T-BP-2800-1680-9C	2800	1960-3640	0.6	60@1000	68@4600	1.5
WBLB-T-BP-2960-200-8C	2960	2860-3060	0.9	60@2720	65@3200	1.5
WBLB-T-BP-3000-420-9C	3000	2790-3210	0.7	70@2400	70@3600	1.5
WBLB-T-BP-3000-2000-13C	3000	2000-4000	1.5	60@1600	60@4800	2.0
WBLB-T-BP-3050-500/3-8C	3050	2800-3300 (3dB)	1.0	45@DC-2600	45@3500-18000	2.0
WBLB-T-BP-3050-700-13C	3050	2700-3400	0.7	55@2550	50@3550	1.5
WBLB-T-BP-3100-200-5C	3100	3000-3200	0.7	50@2700	70@3600	1.5
WBLB-T-BP-3250-300-8C	3250	3100-3400	0.8	70@2770	70@3680	1.5
WBLB-T-BP-3275-750-9C	3275	2900-2650	0.8 (BW)	60@2475	60@4075	1.5
WBLB-T-BP-3300-200-5C	3300	3200-3400	0.5	50@2900	65@3800	1.5
WBLB-T-BP-3300-400-10C	3300	3100-3500	1.5	80 @ 1500	30@6900-8000	1.5
WBLB-T-BP-3340-600-9C	3340	3040-3640	0.6(BW)	60@2640	60@4040	1.5
WBLB-T-BP-3400-200-8C	3400	3300-3500	1.2	60@3200	65@3600	1.5
WBLB-T-BP-3500-200-5C	3500	3400-3600	0.5	50@3100	65@4000	1.5
WBLB-T-BP-3500-1000/3-7C	3500	3000-4000(3dB)	1.0	40@2450	40@5000	2.0
WBLB-T-BP-3500-1000-10C	3500	3000-4000	0.7	40@2800	40@4200	1.5
WBLB-T-BP-3500-2400-7C	3500	2300-4700	1.0	30@1500	30@5500	1.8

Cavity Band Pass Filter Continued						
P/N	Center Freq. (FO) (MHz)	1dB Pass Band (MHz)	I.L. at FO (dB) Max	Rejection (dB) Min		VSWR Max
				@MHz	@MHz	
WBLB-T-BP-3600-2000-10C	3600	2600-4600	0.5	30@2300	30@4900	1.5
WBLB-T-BP-3700-100-7C	3700	3650-3750	2.0	40@3600	40@3800	1.5
WBLB-T-BP-3700-200-5C	3700	3600-3800	0.5	50@3300	65@4200	1.5
WBLB-T-BP-3800-800-11C	3800	3400-4200	1.0	65@2225-3025	65@5850-7025	1.5
WBLB-T-BP-3800-800-13C	3800	3400-4200	1.0	65@2225-3025	65@5850-7025	1.7
WBLB-T-BP-3900-200-5C	3900	3800-4000	0.5	50@3500	65@4400	1.5
WBLB-T-BP-3900-600-8C	3900	3600-4200	1.5	70@2100	70@5100	1.5
WBLB-T-BP-3950-500/3-10C	3950	3700-4200 (3dB)	2.0	50@3500	65@4300	1.5
WBLB-T-BP-3990-400/3-8C	3990	3790-4190 (3dB)	3.0	100@3000	60@6000	1.3
WBLB-T-BP-4000-1000-9C	4000	3500-4500	0.5	50@3200	75@5800	1.5
WBLB-T-BP-4000-2000-10C	4000	3000-5000	1.5	30@2700	30@5300	1.8
WBLB-T-BP-4100-600-9C	4100	3400-4800	0.6 (BW)	60@3400	60@4800	1.3
WBLB-T-BP-4100-1400-13C	4100	3400-4800	3.0 (BW)	65@2225-3025	65@5850-7050	1.7
WBLB-T-BP-4200-400-11C	4200	4000-4400	0.8	70@3450	50@4500	1.5
WBLB-T-BP-4250-500-9C	4250	4000-4500	0.8	55@3800	55@4700	1.5
WBLB-T-BP-4350-100-8C	4350	4300-4400	1.5	45@4250	45@4450	1.5
WBLB-T-BP-4400-200-7C	4400	4300-4500	1.2	38@4200	38@4600	1.5
WBLB-T-BP-4500-1000-10C	4500	4000-5000	0.5	48@3750	48@5250	1.5
WBLB-T-BP-4500-2000-9C	4500	3500-5500	0.4	60@2600	60@6200	1.5
WBLB-T-BP-4550-100-9C	4550	4500-4600	2.4	60@4450	60@4650	1.5
WBLB-T-BP-4650-100-9C	4650	4600-4700	2.0	55@4550	55@4750	1.5
WBLB-T-BP-4750-500-9C	4750	4500-5000	1.0	55@4300	55@5200	1.5
WBLB-T-BP-4900-200-4C	4900	4800-5000	0.7 (BW)	-	-	1.3
WBLB-T-BP-5000-110-12C	5000	4945-5055	2.0	80@4700	80@5300	1.5
WBLB-T-BP-5000-400-11C	5000	4800-5200	1.0	75@4250	50@5300	1.5
WBLB-T-BP-5000-2000-10C	5000	4000-6000	1.5	30@3700	30@6300	1.8
WBLB-T-BP-5000-2000-11C	5000	4000-6000	0.6	38@3300	40@6700	1.7
WBLB-T-BP-5000-2000-12C	5000	4000-6000	1.0	60@3500	60@6500	2.0
WBLB-T-BP-5300-1000-8C	5300	4800-5800	0.5	50@4300	60@6300	1.5
WBLB-T-BP-5500-1000-11C	5500	5000-6000	0.8	65@4500	75@6500	1.5
WBLB-T-BP-5590-25/3-5C	5590	5577.5-5602.5 (3dB)	3.0	45@5540	45@5640	1.5
WBLB-T-BP-5595-270/3-6C	5595	5460-5730 (3dB)	1.0	50@5295	50@5895	1.5
WBLB-T-BP-5600-1400-8C	5600	4900-6300	0.4	60@4000	75@7200	1.5
WBLB-T-BP-5650-500-8C	5650	5400-5900	0.8	48@5150	50@6150	1.7
WBLB-T-BP-5700-200-8C	5700	5600-5800	1.5	30@5550	35@5850	1.5

Cavity Band Pass Filter Continued						
P/N	Center Freq. (F0) (MHz)	1dB Pass Band (MHz)	I.L. at F0 (dB) Max	Rejection (dB) Min		VSWR Max
				@MHz	@MHz	
WBLB-T-BP-5800-120/3-6C	5800	5740-5860 (3dB)	2.5	30@5680	30@5920	1.5
WBLB-T-BP-5800-400-17C	5800	5600-6000	2.0	80@5050	60@6150	1.5
WBLB-T-BP-6000-4000-13C	6000	4000-8000	1.5	60@3200	60@9600	2.0
WBLB-T-BP-6000-1000-6C	6000	5500-6500	0.4	50@4500	65@7500	1.5
WBLB-T-BP-6150-600-6C	6150	5850-6450	1.5	50@4500	65@7500	1.5
WBLB-T-BP-6800-200-5C	6800	6700-6900	1.4	30@6530	20@7130	1.4
WBLB-T-BP-7000-200-6C	7000	6900-7100	1.5	70@6500	75@7500	1.5
WBLB-T-BP-7000-2000-11C	7000	6000-8000	1.0	60@5500	60@8500	2.0
WBLB-T-BP-7000-2000-13C	7000	6000-8000	0.7	60@5400	60@8600	1.7
WBLB-T-BP-7250-1500-12C	7250	6500-8000	0.5	65@5500	80@9000	1.5
WBLB-T-BP-7800-1000-8C	7800	7300-8300	1.0	55@6800	55@8800	1.7
WBLB-T-BP-8000-1000-6C	8000	7500-8500	0.7	70@5000	70@11000	1.5
WBLB-T-BP-8000-2000-6C	8000	7000-9000	1.5	30@6700	30@9300	1.8
WBLB-T-BP-8200-200-11C	8200	8100-8300	1.0	50@7900	50@8500	1.5
WBLB-T-BP-8300-420/3-8C	8300	8090-8510 (3dB)	2.0	50@7880	50@8720	1.5
WBLB-T-BP-8317-28-4C	8317	8303-8331	1.2 (BW)	80@7817	80@8817	1.3
WBLB-T-BP-9000-2000-7C	9000	8000-10000	0.5	40@7000	45@11000	1.5
WBLB-T-BP-9000-2000-11C	9000	8000-10000	1.0	60@7500	60@10500	1.8
WBLB-T-BP-9250-500-11C	9250	9000-9500	1.6	65@8790	65@9700	1.5
WBLB-T-BP-9400-30-4C	9400	9385-9415	2.0	25@400-6000	80@9150-9250	1.5
WBLB-T-BP-9400-400-7C	9400	9200-9600	1.3	77@8650	33@9750	1.5
WBLB-T-BP-9400-500-10C	9400	9150-9650	3.0	45@DC-9000	35@9800-18000	2.0
WBLB-T-BP-9400-1200-8C	9400	8800-10000	0.7	68@8000	80@11000	1.5
WBLB-T-BP-9470-160-5C	9470	9390-9550	2.0	40@9130	40@9850	1.5
WBLB-T-BP-9500-1000-9C	9500	9000-10000	1.5	36@8700	40@10300	1.5
WBLB-T-BP-9500-1000-14C	9500	9000-10000	2.0	25@8900	25@10100	1.5
WBLB-T-BP-9500-1400-9C	9500	8800-10200	0.5	80@8000	80@11000	1.5
WBLB-T-BP-9500-3000-10C	9500	8000-11000	1.0	40@7400	40@11600	2.0
WBLB-T-BP-9600-2400/3-5C	9600	8400-10800 (3dB)	1.0	45@5000	45@14000	1.8

Cavity Band Pass Filter Continued						
P/N	Center Freq. (FO) (MHz)	1dB Pass Band (MHz)	I.L. at FO (dB) Max	Rejection (dB) Min		VSWR Max
				@MHz	@MHz	
WBLB-T-BP-9620-160-5C	9620	9540-9700	2.0 (BW)	40@9280	40@10000	1.5
WBLB-T-BP-9640-50-7C	9640	9615-9665	1.0 (BW)	80@9140	80@10140	1.4
WBLB-T-BP-9700-2200-12C	9700	8600-10800	1.0	60@8000	60@11400	1.5
WBLB-T-BP-9750-1000-4C	9750	9250-10250	1.0	20@8250	20@11250	1.5
WBLB-T-BP-9770-160-5C	9770	9690-9850	2.0	40@9430	40@10150	1.5
WBLB-T-BP-9920-160-5C	9920	9840-10000	2.0	40@9580	40@10300	1.5
WBLB-T-BP-9953-10/3-11C	9953	9948-9958 (3dB)	6.5	20@9943	20@9963	1.5
WBLB-T-BP-10000-50-7C	10000	9975-10025	1.0 (BW)	60@9475	60@10425	1.5
WBLB-T-BP-10000-2000-9C	10000	9000-11000	1.0 (BW)	70@1000-6000	70@14000-18000	1.7
WBLB-T-BP-10000-2000-10C	10000	9000-11000	2.0	30@8700	30@11300	1.5
WBLB-T-BP-10000-4000-10C	10000	8000-12000	0.8	70@6000	40@14000	1.8
WBLB-T-BP-10050-2700-18C	10050	8700-11400	2.0	15@8500	30@11700	2.0
WBLB-T-BP-10150-300-6C	10150	10000-10300	1.0	55@9360	40@10640	1.5
WBLB-T-BP-10500-1000-8C	10500	10000-11000	0.9	28@9800	45@11400	1.5
WBLB-T-BP-10500-1000-9C	10150	10000-11000	1.5	35@9700	35@11300	1.7
WBLB-T-BP-10530-320/3-8C	10530	10370-10690 (3dB)	2.5	50@10850	50@10210	1.5
WBLB-T-BP-10665-200/3-3C	10665	10565-10765 (3dB)	1.0	80@11700	80@12400	1.4
WBLB-T-BP-11000-2000-7C	11000	10000-12000	0.5	45@9000	45@13000	1.5
WBLB-T-BP-11000-2000-9C	11000	10000-12000	1.0 (BW)	70@1000-7000	70@15000-18000	1.7
WBLB-T-BP-11000-2000-11C	11000	10000-12000	1.0	60@9500	60@12500	1.8
WBLB-T-BP-11300-224-5C	11300	11188-11412	3.0	65@10400	65@12176	1.5
WBLB-T-BP-11500-1000-9C	11500	11000-12000	1.5	39@10700	42@12300	1.7
WBLB-T-BP-11870-330/3-8C	11870	11705-12035 (3dB)	1.8	60@11400	50@12200	1.5
WBLB-T-BP-11900-420/3-8C	11900	11690-12110(3dB)	2.0	50@11480	40@12320	1.5
WBLB-T-BP-11900-440T-3C	11900	11680-12120	0.5 (BW)	25@10400	25@13400	1.5
WBLB-T-BP-12000-2000-9C	12000	11000-13000	1.0 (BW)	70@1000-8000	70@16000-18000	1.7
WBLB-T-BP-12000-2000-10C	12000	11000-13000	2.0	30@10700	30@13300	1.5
WBLB-T-BP-12000-6000-18C	12000	9000-15000	0.9	50@6000	50@18000	1.5
WBLB-T-BP-12100-800/3-3C	12100	11700-12500 (3dB)	0.5	45@15500	40@7700	1.5
WBLB-T-BP-12100-820/3-6C	12100	11690-12510 (3dB)	1.0	50@11100	50@13100	1.5
WBLB-T-BP-12300-400/3-6C	12300	12090-12490 (3dB)	1.0	60@11100	60@13100	1.5

Cavity Band Pass Filter Continued						
P/N	Center Freq. (F0) (MHz)	1dB Pass Band (MHz)	I.L. at F0 (dB) Max	Rejection (dB) Min		VSWR Max
				@MHz	@MHz	
WBLB-T-BP-12395-610-6C	12395	12090-12700	1.5	30@11790	30@13000	1.5
WBLB-T-BP-12397.5-605-6C	12397	12095-12700	1.5	30@11792.5	30@13002.5	1.5
WBLB-T-BP-12925-750-7C	12925	12550-13300	1.0	65@11300	65@14300	1.4
WBLB-T-BP-13000-10000-13C	13000	8000-18000	1.5	50@6400	60@21600	2.0
WBLB-T-BP-13000-2000-7C	13000	12000-14000	0.5	42@11000	48@15000	1.5
WBLB-T-BP-13000-2000-9C	13000	12000-14000	1.0 (BW)	70@1000-9000	70@17000-18000	1.7
WBLB-T-BP-13000-2000-11C	13000	12000-14000	1.0	60@11500	60@14500	1.8
WBLB-T-BP-13842.5-715-6C	13842	13485-14200	1.5	30@13127.5	30@14557.5	1.5
WBLB-T-BP-14000-2000-9C	14000	13000-15000	1.0 (BW)	70@1000-10000	60@11000-17000	1.7
WBLB-T-BP-14000-2000-10C	14000	13000-15000	0.7	60@12200	70@15800	1.8
WBLB-T-BP-14022.5-355-6C	14022.5	13845-14200	2.0	30@13667.5	30@14377.5	1.5
WBLB-T-BP-14125-750-/3-7C	14125	13750-14500	1.5 (BW)	30@10750-12800	30@15450-17000	1.5
WBLB-T-BP-14125-850-10C	14125	13700-14550	1.5	30@14700	80@12800	1.5
WBLB-T-BP-14125-850-18C	14125	13700-14550	3.5	35@13550	35@14700	2.0
WBLB-T-BP-14250-600-6C	14250	13950-14550	1.5	25@13750	25@14750	1.5
WBLB-T-BP-14442.5-715-6C	14442.5	14085-14800	1.5	30@13370	30@15515	1.5
WBLB-T-BP-15000-2000-10C	15000	14000-16000	2.0	30@13700	30@16300	1.5
WBLB-T-BP-15000-2000-9C	15000	14000-16000	1.0 (BW)	70@1000-11000	60@12000-18000	1.7
WBLB-T-BP-15250-1500-10C	15250	14500-16000	1.5	55@14000	55@16500	1.7
WBLB-T-BP-16000-2000-9C	16000	15000-17000	1.0 (BW)	70@1000-12000	60@13000-19000	1.7
WBLB-T-BP-16000-4000-10C	16000	14000-18000	0.7	75@12000	75@20000	1.5

Cavity Band Pass Filter Continued						
P/N	Center Freq. FO (MHz)	1dB Pass Band (MHz)	I.L. at FO (dB) Max	Rejection (dB) Min		VSWR Max
				@MHz	@MHz	
WBLB-T-BP-16600-1600-8C	16600	15800-17400	1.0	80@14000	50@20000	1.7
WBLB-T-BP-16750-2500/3-5C	16750	15500-18000 (3dB)	1.0	45@8000	45@24000	1.8
WBLB-T-BP-17000-2000-9C	17000	16000-18000	1.0 (BW)	70@1000-13000	60@14000-20000	1.7
WBLB-T-BP-17000-2000-10C	17000	16000-18000	1.0	60@15500	60@18500	1.8
WBLB-T-BP-17000-2200-9C	17000	15900-18100	1.2	60@15000	60@19000	2.0
WBLB-T-BP-17250-500-13C	17250	17000-17500	1.5	55@16250	55@18520	1.5
WBLB-T-BP-19750-1000-10C	19750	19250-20250	1.0	30@19000	30@21000	1.5
WBLB-T-BP-21700-3000-5C	21700	20200-23200	1.0	40@12000	40@28500	2.5
WBLB-T-BP-21820-800/3-4C	21820	21420-22220 (3dB)	3.0	40@19280	40@24440	2.5
WBLB-T-BP-25000-2000-6C	25000	24000-26000	3.0	30@23000	30@27000	2.5

Notes: Customization is available

.LC Band Pass Filter

P/N	Center Freq. (MHz)	1dB Pass Band (MHz)	I. L. at F0 (dB) Max	Rejection (dB) Min		VSWR Max
				@MHz	@MHz	
WBLB-T-BP-0.5-0.1-L	0.5	0.45-0.55	1.0	50@0.05	20@0.3	1.5
WBLB-T-BP-1-0.2-L	1	0.9-1.1	1.0	50@0.1	40@0.3	1.5
WBLB-T-BP-4-0.8-L	4	3.6-4.4	1.0	50@0.4	-	1.5
WBLB-T-BP-10-2-L	10	9-11	1.0	50@1	-	1.5
WBLB-T-BP-0.5-0.1-L	0.5	0.45-0.55	1.0	50@0.05	20@0.3	1.5
WBLB-T-BP-1-0.2-L	1	0.9-1.1	1.0	50@0.1	40@0.3	1.5
WBLB-T-BP-4-0.8-L	4	3.6-4.4	1.0	50@0.4	-	1.5
WBLB-T-BP-10-2-L	10	9-11	1.0	50@1	-	1.5
WBLB-T-BP-10.7-4/1.5-L	10.7	8.7-12.7 (1.5dB)	-	25@7 25@15	35@6 35@16	1.7
WBLB-T-BP-18-10-L	18	13-23	1.5	-	60@36	1.5
WBLB-T-BP-21-8/3-L	21	17.0-25.0 (3dB)	-	25@15.5 25@29	35@14 35@32	1.7
WBLB-T-BP-25-12-L	25	19-31	0.8	45@10	45@60	1.5
WBLB-T-BP-30-3-L	30	28.5-31.5	2.0	75@20	75@40	1.5
WBLB-T-BP-30-5/3-L	30	5(3dB)	3.0	50@25	60@22.5	1.5
WBLB-T-BP-30-10/3-L	30	25-35 (3dB)	-	25@22 25@40	35@20 35@44	1.7
WBLB-T-BP-50-20-L	50	40-60	1.0	65@25	75@70	1.5
WBLB-T-BP-60-20-L	60	50-70	1.5	60@30	75@90	1.5
WBLB-T-BP-60-20.7/3-L	60	49.8-70.5 (3dB)	-	25@44 25@79	35@41 35@90	1.7
WBLB-T-BP-60-25/3-L	60	25 (3dB)	1.6	60@40	72@90	1.5
WBLB-T-BP-64-50/3-L	64	39-89 (3dB)	-	40@34	40@94	1.5
WBLB-T-BP-70-3-L	70	68.75-71.25	5.0	40@58.75	40@81.25	1.5
WBLB-T-BP-70-5-L	70	67.5-72.5	2.0	30@50	30@90	1.4
WBLB-T-BP-70-14-L	70			25@51	35@6	1.7
WBLB-T-BP-70-16-L	70	62-78	2.0	60@52	60@92	1.5
WBLB-T-BP-70-24/3-L	70	58-82 (3dB)	-	25@51 25@94	35@6 35@193-1000	1.7
WBLB-T-BP-70-36-L	70	52-88	3.0	40@40	40@100	1.5
WBLB-T-BP-80-100-L	80	30-130	0.6	40@10	40@160	1.5
WBLB-T-BP-83-14-L	83	76-90	2.0	60@53	60@113	1.5
WBLB-T-BP-90-20-L	90	80-100	2.5	80@50	80@130	1.5
WBLB-T-BP-100-20/1.5-L	100	90-110 (1.5dB)	-	25@72 25@137	35@67 35@148	1.7
WBLB-T-BP-120-40/3-L	120	40(3dB)	2.0	50@80	50@160	-
WBLB-T-BP-120-50-L	120	95-145	1.0	45@75	70@200	1.5
WBLB-T-BP-125-40-L	125	105-145	1.5	50@80	50@170	1.5

LC Band Pass FilterContinued						
P/N	Center Freq. (MHz)	1dB Pass Band (MHz)	I. L. at F0 (dB) Max	Rejection (dB) Min		VSWR Max
				@MHz	@MHz	
WBLB-T-BP-127-50/3-L	127	102-152 (3dB)	-	40@97	40@157	1.5
WBLB-T-BP-140-52/3-L	140	114-166 (3dB)	2.0	40@88	40@192	1.5
WBLB-T-BP-160-32-L	160	144-176	-	25@115 25@220	35@107 35@237	1.7
WBLB-T-BP-160-60-L	160	130-190	1.5	40@45	40@300	1.5
WBLB-T-BP-162-3-L	162	160.5-163.5	6	45@143	45@185	1.5
WBLB-T-BP-170-84-L	170	128-212	1.0	80@64	65@276	1.5
WBLB-T-BP-175-50-L	175	150-200	1.2	70@100	40@225	1.5
WBLB-T-BP-187.5-125-L	187.5	125-250	1.5	60@75	60@300	1.5
WBLB-T-BP-190-20-L	190	180-200	2.3	25@170	25@210	1.5
WBLB-T-BP-300-60-L	300	270-330	-	25@216 25@412	35@200 35@440	1.7
WBLB-T-BP-300-230-L	300	185-415	1.0	60@100	60@500	1.5
WBLB-T-BP-325-150-L	325	250-400	0.9	65@200	65@500	1.5
WBLB-T-BP-350-184-L	350	258-442	1.1	90@100	90@600	1.5
WBLB-T-BP-375-150-L	375	300-450	1.1	60@225	60@600	1.5
WBLB-T-BP-375-250-L	375	250-500	1.5	60@150	60@600	1.5
WBLB-T-BP-400-80-L	400	360-440	2.5	40@300	40@500	1.5
WBLB-T-BP-416.25-6.5/3-L	416.25	413-419.5 (3dB)	5.0	40@386.5	40@446	1.5
WBLB-T-BP-430-220-L	430	320-540	1.2	28@270	28@585	1.5
WBLB-T-BP-440-180-L	440	350-530	1.2	65@250	80@700	1.5
WBLB-T-BP-450-200-L	450	350-550	1.0	80@200	80@700	1.5
WBLB-T-BP-460-120-L	460	400-520	3.0	50@200	50@800	1.5
WBLB-T-BP-500-100-L	500	450-550	-	25@360 25@687	35@267 35@742	1.7
WBLB-T-BP-500-40-L	500	480-520	2.0	65@400	65@600	1.5
WBLB-T-BP-500-220-L	500	390-610	1.0	65@280	70@720	1.5
WBLB-T-BP-500-300-L	500	350-650	1.0	65@200	90@800	1.5
WBLB-T-BP-550-300-L	550	400-700	0.9	45@350	45@800	1.5
WBLB-T-BP-600-30-L	600	585-615	2.9	45@550	45@650	1.5
WBLB-T-BP-600-300-L	600	450-750	0.8	65@260	65@930	1.5
WBLB-T-BP-645-80-L	645	605-685	2.8	20@580	33@720	1.5
WBLB-T-BP-700-55-L	700	672.5-727.5	1.7	53@600	53@800	1.5
WBLB-T-BP-750-400-L	750	550-950	0.6	50@300	50@1200	1.5
WBLB-T-BP-750-500-L	750	500-1000	1.0	60@300	60@1200	1.5
WBLB-T-BP-770-60-L	770	740-800	2.8	50@695	50@845	1.5
WBLB-T-BP-800-100-L	800	750-850	2.3	45@700	75@1000	1.5
WBLB-T-BP-847.5-157-L	847.5	769-926	1.1	65@500	65@1500	1.5
WBLB-T-BP-870-84-L	870	828-912	1.8	50@740	50@1000	1.5
WBLB-T-BP-900-500-L	900	650-1150	1.0	75@460	50@1330	1.5
WBLB-T-BP-900-100-L	900	850-950	2.4	40@800	40@1000	1.5
WBLB-T-BP-930-60-L	930	900-960	3.0	50@855	50@1005	1.5

LC Band Pass Filter Continued						
P/N	Center Freq. (MHz)	1dB Pass Band (MHz)	I. L. at F0 (dB) Max	Rejection(dB) Min		VSWR Max
				@MHz	@MHz	
WBLB-T-BP-970-60-L	970	940-1000	3.2	55@895	55@1045	1.5
WBLB-T-BP-1000-200-L	1000	900-1100	-	25@720 25@1370	35@667 35@1480	1.7
WBLB-T-BP-1000-30-L	1000	985-1015	3.0	65@900	65@1100	1.5
WBLB-T-BP-1080-160-L	1080	1000-1160	1.0	60@680	75@1480	1.5
WBLB-T-BP-1200-500-L	1200	950-1450	1.3	40@700	40@1700	1.5
WBLB-T-BP-1235-230-L	1235	1120-1350	2.5	50@950	25@1450	1.5
WBLB-T-BP-1250-1500-L	1250	500-2000	1.5	60@400	60@2400	2.0
WBLB-T-BP-1300-200-L	1300	1200-1400	2.5	60@1000	60@1600	1.5
WBLB-T-BP-1300-400-L	1300	1100-1500	1.0	40@900	40@1700	1.5
WBLB-T-BP-1350-300-L	1350	1200-1500	1.8	50@800	50@1830	1.5
WBLB-T-BP-1399.5-317-L	1399.5	1241-1558	1.0	35@1100	35@1699	1.5
WBLB-T-BP-1500-1000-L	1500	1000-2000	0.7	75@500	70@2500	1.5
WBLB-T-BP-1500-1600-L	1500	700-2300	1.5	20@400	50@2800	1.5
WBLB-T-BP-1560-200-L	1560	1460-1660	2.0	60@1230	60@1890	1.5
WBLB-T-BP-1575-150-L	1575	1500-1650	3.5	20@1450	75@2100	1.5
WBLB-T-BP-1700-520-L	1700	1440-1960	2.5	60@1180	60@2220	1.7
WBLB-T-BP-1790-200-L	1790	1690-1890	1.3	80@945	70@1200	1.5
WBLB-T-BP-2100-200-L	2100	2000-2200	1.8	75@1700	75@2500	1.5
WBLB-T-BP-2200-400-L	2200	2000-2400	1.5	40@1850	40@2550	1.5
WBLB-T-BP-2300-400-L	2300	2100-2500	2.5	60@1865	60@2735	1.5
WBLB-T-BP-2450-900-L	2450	2000-2900	1.0	65@1300	70@4860	1.5
WBLB-T-BP-2500-200-L	2500	2400-2600	3.0	80@2200	80@2800	1.5
WBLB-T-BP-2500-2000-L	2500	1500-3500	1.25	30@1250	20@3750	1.5
WBLB-T-BP-2800-200-L	2800	2700-2900	3.2	35@2600	35@3000	1.5
WBLB-T-BP-3000-300-L	3000	2850-3150	3.0	70@2500	70@3500	1.5
WBLB-T-BP-3300-200-L	3300	3200-3400	2.8	70@2900	70@3700	1.5
WBLB-T-BP-3505-1014-L	3505	2998-4012	2.0	50@2500	60@5000	1.5
WBLB-T-BP-4095-680-L	4095	3755-4435	2.0	80@2200	40@5000	1.5
WBLB-T-BP-4925-150-L	4925	4850-5000	4.0	40@4700	40@5150	1.5

.Suspended Substrate Stripline Band Pass Filter

P/N	3dB BW (GHz)	1dB Pass Band (GHz)	Stop Band 1 (dB min@GHz)	Stop Band 2 (dB min@GHz)	VSWR Max
WBLB-T-BP-1-2-S	1-2	1.05-1.9	45@DC-0.85	45@2.3-4	2.0
WBLB-T-BP-2-4-S	2-4	2.1-3.8	45@DC-1.7	45@4.6-7	2.0
WBLB-T-BP-4-6-S	4-6	4.2-5.7	45@DC-3.4	45@6.9-9.5	2.0
WBLB-T-BP-4-8-S	4-8	4.2-7.6	45@DC-3.4	45@9.2-12	2.0
WBLB-T-BP-6-8-S	6-8	6.3-7.6	45@DC-5.1	45@9.2-12	2.0
WBLB-T-BP-8-18-S	7.55-18.4	8-18	70@DC-5.6	45@6.4GHz 45@20-21GHz	2.0
WBLB-T-BP-8-12-S	7.9-12.1	8-12	45@DC-6.8	45@13.8-17	2.0
WBLB-T-BP-12-18-S	12-18	12.6-17.1	45@DC-10.2	45@20.7-22	2.0

Notes: Customization is available

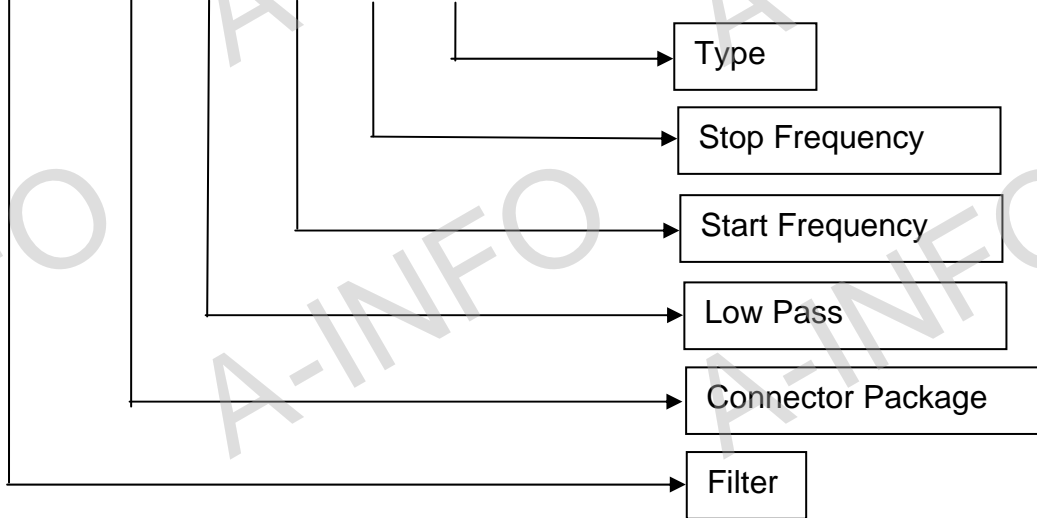
.Coaxial-Waveguide Band Pass Filter

P/N	3dB Bandwidth (MHz)	I.L. at FO (dB) Max	Rejection (dB) Min		VSWR Max
			@MHz	@MHz	
WBLB-TW-BP-12925-255/3-3C	255	0.5	40@11900	40@14400	1.5
WBLB-TW-BP-12925-255/3-6C	255	1.2	40@12600	40@13350	1.5
WBLB-TW-BP-13250-110/3-3C	110	0.8	40@12680	40@13810	1.5
WBLB-TW-BP-13250-110/3-6C	110	2.0	40@13100	40@13400	1.5
WBLB-W-BP-17200-200/3-3	200	0.3	40@16400	40@18400	1.5
WBLB-W-BP-30011-1200	1200(1dB)	1.0	70@27761	70@32261	1.5
WBLB-W-BP-30500-1000-C	1000(1dB)	1.2	50@29050	50@31950	1.2

Low Pass Filter - Connector

Explanation to P/N

WBLB-T-LP-0-63-L



.LC Low Pass Filter

P/N	1dB Pass Band (MHz)	Stop Band (dB min@MHz)	VSWR Max
WBLB-T-LP-0-63-L	DC-63	45@80	1.5
WBLB-T-LP-0-80-L	DC-80	60@100	1.5
WBLB-T-LP-0-150-L	DC-150	80@225	1.5
WBLB-T-LP-0-180-L	DC-180	40@200	1.5
WBLB-T-LP-0-525-L	DC-525	75@700	1.5
WBLB-T-LP-0-800-L	DC-800	40@1000	1.5
WBLB-T-LP-0-870-L	DC-870	65@1650	1.5
WBLB-T-LP-0-1000-L	DC-1000	60@1400	1.5
WBLB-T-LP-0-1400-L	DC-1400	35@1600	1.5
WBLB-T-LP-0-1790-L	DC-1790	55@2100	1.5
WBLB-T-LP-0-2000-L	DC-2000	60@2800	1.5

.Suspended Substrate Stripine Low Pass Filter

P/N	3dB Cut Off (GHz)	1dB Pass Band (GHz)	Stop Band (dB min@GHz)	Average Power (W)	VSWR Max
WBLB-T-LP-1-S	1	DC-0.9	45@1.15-4	15	2.0
WBLB-T-LP-2-S	2	DC-1.8	45@2.3-6	15	2.0
WBLB-T-LP-3-S	3	DC-2.7	45@3.45-8	15	2.0
WBLB-T-LP-4-S	4	DC-6	45@4.6-10	15	2.0
WBLB-T-LP-5-S	5	DC-4.5	45@5.8-12	15	2.0
WBLB-T-LP-6-S	6	DC-5.4	45@6.9-14	15	2.0
WBLB-T-LP-7-S	7	DC-6.3	45@8-15	15	2.0
WBLB-T-LP-8-S	8	DC-7.2	45@9.2-16	15	2.0
WBLB-T-LP-9-S	9	DC-8.1	45@10.4-16.5	15	2.0
WBLB-T-LP-10-S	10	DC-9	45@11.5-17	15	2.0
WBLB-T-LP-11-S	11	DC-9.9	45@12.5-17.5	15	2.0
WBLB-T-LP-12-S	12	DC-10.8	45@13.8-18.1	15	2.0
WBLB-T-LP-13-S	13	DC-11.7	45@15-18.8	15	2.0
WBLB-T-LP-14-S	14	DC-12.6	45@16.1-19.6	15	2.0
WBLB-T-LP-15-S	15	DC-13.5	45@17.3-21	15	2.0
WBLB-T-LP-16-S	16	DC-14.4	45@18.4-21.5	15	2.0
WBLB-T-LP-17-S	17	DC-15.3	45@19.6-22	15	2.0
WBLB-T-LP-18-S	18	DC-16.2	45@20.7-24	15	2.0

.Tube Low Pass Filter

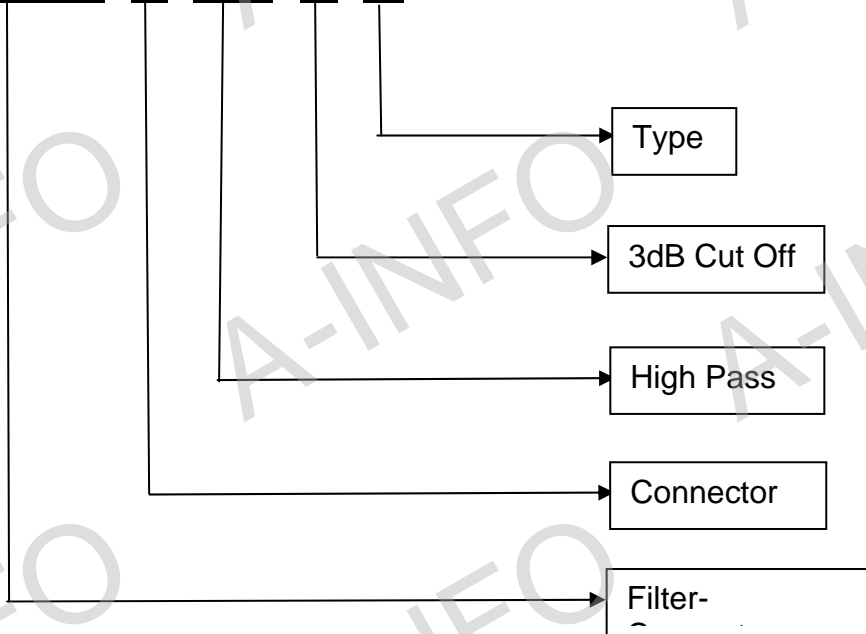
P/N	Pass Band (GHz)	I.L. (pass band) (dB)	Rejection (dB min@GHz)		VSWR Max
WBLB-T-LP-1600-8000-17T	1.6-8.0	1.0	50@10-20	30@20-32	1.8
WBLB-T-LP-2000-10000-17T	2.0-10.0	1.0	50@12.5-25	30@25-30	2.0
WBLB-T-LP-2400-12400-17T	2.4-12.4	1.0	50@15.5-26	20@26-30	2.0

Notes: Customization is available

High Pass Filter

Explanation to P/N

WBLB-T-HP-1-S



.Suspended Substrate Stripline High Pass Filter

P/N	3dB Cut Off (GHz)	1dB Pass Band (GHz)	Rejection (dB min@GHz)	Average Power (W)	VSWR Max
WBLB-T-HP-1-S	1	1.1-4	45@DC-0.85	15	2.0
WBLB-T-HP-2-S	2	2.2-12	45@DC-1.7	15	2.0
WBLB-T-HP-3-S	3	3.3-12	45@DC-2.55	15	2.0
WBLB-T-HP-4-S	4	4.4-12	40@DC-3.4	15	2.0
WBLB-T-HP-5-S	5	5.5-16	45@DC-4.25	15	2.0
WBLB-T-HP-6-S	6	6.6-18	40@DC-5.1	15	2.0
WBLB-T-HP-7-S	7	7.7-18	45@DC-5.95	15	2.0
WBLB-T-HP-8-S	8	8.8-18	45@DC-6.8	15	2.0
WBLB-T-HP-9-S	9	9.9-18	45@DC-7.65	15	2.0
WBLB-T-HP-10-S	10	11-18	45@DC-8.5	15	2.0
WBLB-T-HP-11-S	11	12.1-18	45@DC-9.35	15	2.0
WBLB-T-HP-12-S	12	13.2-18	45@DC-10.2	15	2.0

.Cavity Band Reject Filter

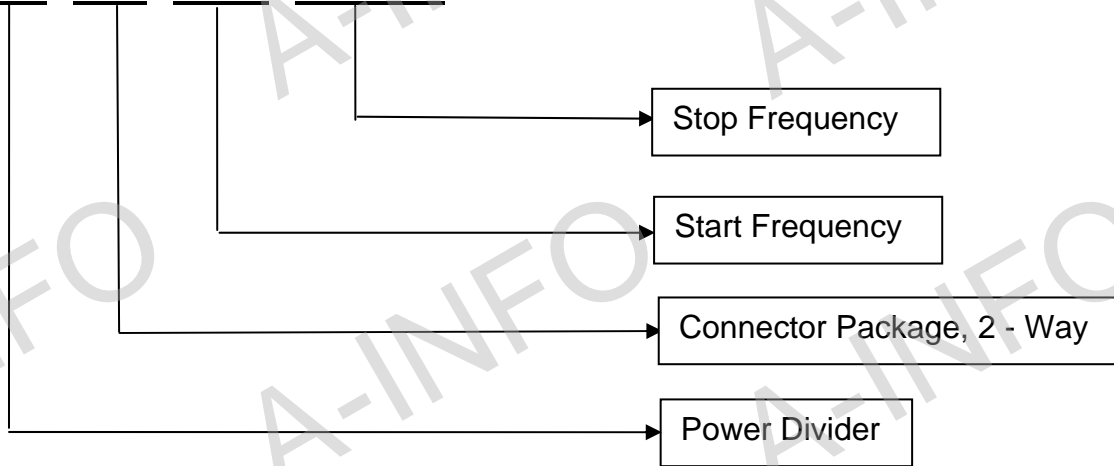
P/N	Pass Band (MHz)	I.L. (dB) max	Rejection (dB) Min	VSWR max
WBLB-T-BR-2441.75-83.5-7C	DC-2345 2538-6000	1.5	40@2400-2483.5	2.0
WBLB-T-BR-10000-50/3-5C	7000-9800 10200-13000	1.5	40	-

Notes: Customization is available

Power Divider - Connector

Explanation to P/N

GF-T2-0.2-1000



1. 2-Way 0°

P/N	Frequency Range (GHz)	Input VSWR Max	Output VSWR Max	Insertion Loss (dB)Max	Isolation (dB)Min	Amplitude Balance (dB)Max	Phase Balance (°)Max
GF-T2-0.2-1000	0.0002-1	1.50:1	1.50:1	1.2	18	±0.3	±4
GF-T2-0.25-300	0.00025-0.3	1.50:1	1.50:1	1.0	20	±0.3	±5
GF-T2-1-750	0.001-0.75	1.50:1	1.50:1	1.0	18	±0.3	±4
GF-T2-5-500	0.005-0.5	1.50:1	1.50:1	0.6	20	±0.3	±4
GF-T2-5-600	0.005-0.6	1.50:1	1.50:1	0.9	20	±0.4	±3
GF-T2-10-1000	0.01-1	1.50:1	1.50:1	1.0	11	±0.3	±4
GF-T2-10-2000	0.01-2	2.00:1	2.00:1	1.0	11	±0.5	±6
GF-T2-50-2000	0.05-2	1.25:1	1.25:1	1.2	18	±0.9	±2
GF-T2-100-900	0.1-0.9	1.25:1	1.25:1	4.0	20	±0.2	±1
GF-T2-130-175	0.13-0.175	1.20:1	1.20:1	0.35	25	±0.2	±1

2 way 0° Continued							
P/N	Frequency Range (GHz)	Input VSWR Max	Output VSWR Max	Insertion Loss (dB)Max	Isolation (dB)Min	Amplitude Balance (dB)Max	Phase Balance (°)Max
GF-T2-400-3600	0.4-3.6	1.40:1	1.40:1	1.3	17	±0.3	±3
GF-T2-450-890	0.45-0.89	1.25:1	1.25:1	0.5	20	±0.3	±3
GF-T2-470-820	0.47-0.82	1.25:1	1.25:1	0.5	20	±0.2	±2
GF-T2-500-1000	0.5-1	1.25:1	1.25:1	0.6	20	±0.2	±2
GF-T2-500-2000	0.5-2	1.25:1	1.20:1	0.5	20	±0.2	±2
GF-T2-700-2700	0.7-2.7	1.35:1	1.35:1	0.6	20	±0.2	±2
GF-T2-800-1000	0.8-1	1.25:1	1.25:1	0.4	22	±0.2	±3
GF-T2-800-1200	0.8-1.2	1.30:1	1.30:1	0.6	20	±0.3	±2
GF-T2-800-1300	0.8-1.3	1.25:1	1.25:1	0.3	20	±0.2	±3
GF-T2-800-2000	0.8-2	1.25:1	1.25:1	0.5	20	±0.2	±3
GF-T2-800-2200	0.8-2.2	1.25:1	1.25:1	1.0	18	±0.2	±3
GF-T2-800-2500	0.8-2.5	1.25:1	1.25:1	0.5	20	±0.2	±3
GF-T2-800-6000	0.8-6	1.40:1	1.30:1	0.9	18	±0.2	±3
GF-T2-806-821	0.806-0.821	1.25:1	1.25:1	0.8	20	±0.5	±6
GF-T2-1000-2000	1-2	1.20:1	1.20:1	0.6	25	±0.2	±2
GF-T2-1000-3000	1-3	1.25:1	1.25:1	0.8	18	±0.3	±3
GF-T2-1000-4000	1-4	1.30:1	1.20:1	0.5	20	±0.3	±2
GF-T2-1000-8000	1-8	1.35:1	1.30:1	1.2	18	±0.3	±6
GF-T2-1200-1600	1.2-1.6	1.30:1	1.30:1	0.6	20	±0.3	±2
GF-T2-1700-2500	1.7-2.5	1.25:1	1.25:1	0.4	20	±0.3	±2
GF-T2-1800-3600	1.8-3.6	1.30:1	1.30:1	1.0	20	±0.4	±3
GF-T2-2000-3000	2-3	1.20:1	1.20:1	0.4	22	±0.2	±3
GF-T2-2000-4000	2-4	1.25:1	1.20:1	0.35	20	±0.2	±2
GF-T2-2000-4200	2-4.2	1.30:1	1.25:1	0.5	19	±0.4	±6
GF-T2-2000-2700	2-2.7	1.30:1	1.30:1	0.5	20	±0.2	±3
GF-T2-2000-8000	2-8	1.30:1	1.20:1	0.8	20	±0.2	±2
GF-T2-2000-18000	2-18	1.50:1	1.50:1	1.2	16	±0.3	±5
GF-T2-2200-2400	2.2-2.4	1.25:1	1.20:1	0.3	20	±0.2	±2

2 way 0° Continued

P/N	Frequency Range (GHz)	Input VSWR Max	Output VSWR Max	Insertion Loss (dB)Max	Isolation (dB)Min	Amplitude Balance (dB)Max	Phase Balance (°)Max
GF-T2-2200-2700	2.2-2.7	1.30:1	1.30:1	0.4	20	±0.3	±2
GF-T2-2300-5300	2.3-5.3	1.30:1	1.30:1	0.8	20	±0.4	±6
GF-T2-2490-2690	2.49-2.69	1.40:1	1.40:1	0.3	22	±0.3	±1
GF-T2-2500-2700	2.5-2.7	1.25:1	1.25:1	0.4	22	±0.2	±3
GF-T2-3100-3400	3.1-3.4	1.20:1	1.20:1	0.3	25	±0.2	±1.5
GF-T2-3700-4800	3.7-8	1.30:1	1.30:1	0.6	10	±0.5	±5
GF-T2-4000-6000	4-6	1.30:1	1.30:1	0.6	18	±0.2	±3
GF-T2-4000-8000	4-8	1.25:1	1.20:1	0.6	20	±0.3	±3
GF-T2-4000-18000	4-18	1.50:1	1.50:1	0.8	18	±0.4	±5
GF-T2-4200-6000	4.2-6	1.30:1	1.30:1	0.6	18	±0.2	±3
GF-T2-5800-7100	5.8-7.1	1.30:1	1.30:1	0.6	10	±0.5	±5
GF-T2-6000-18000	6-18	1.50:1	1.50:1	0.7	18	±0.4	±5
GF-T2-7900-8600	7.9-8.6	1.20:1	1.20:1	0.4	22	±0.2	±3
GF-T2-10250-14500	10.25-14.5	1.40:1	1.40:1	0.8	19	±0.3	±6

2. 2-Way 90 °

P/N	Freq. Range (GHz)	Input VSWR Max	Output VSWR Max	Insertion Loss (dB)Max	Isolation (dB)Max	Amplitude Balance (dB)Max	Phase Balance (°)Max
GF-T2-90-20-40	0.02-0.04	1.20:1	1.20:1	0.7	20	±1.0	±3
GF-T2-90-40-80	0.04-0.08	1.20:1	1.20:1	0.7	20	±1.5	±3
GF-T2-90-80-160	0.08-0.16	1.20:1	1.20:1	0.7	20	±1.5	±3
GF-T2-90-1000-2000	1-2	1.30:1	1.30:1	1.0	20	±1.0	±2
GF-T2-90-2000-3000	2-3	1.40:1	1.40:1	1.0	20	±1.0	±2

3. 2-Way 180°

P/N	Freq. Range (GHz)	Input VSWR Max	Output VSWR Max	Insertion Loss (dB)Max	Isolation (dB)Max	Amplitude Balance (dB)Max	Phase Balance (°)Max
GF-T2-180-0.1-50	0.0001-0.05	1.20:1	1.20:1	1.0	20	±0.5	±3
GF-T2-180-1-200	0.001-0.2	1.20:1	1.20:1	1.2	20	±0.3	±4
GF-T2-180-10-600	0.01-0.6	1.20:1	1.20:1	2.2	16	±0.9	±6
GF-T2-180-50-1000	0.05-1	1.20:1	1.20:1	2.4	20	±1.0	±7
GF-T2-180-1000-2000	1-2	1.50:1	1.60:1	1.6	20	±1.0	±5
GF-T2-180-1000-3000	1-3	1.50:1	1.60:1	1.6	20	±1.0	±10

4. 3-Way 0°

P/N	Freq. Range (GHz)	Input VSWR Max	Output VSWR Max	Insertion Loss (dB)Max	Isolation (dB)Max	Amplitude Balance (dB)Max	Phase Balance (°)Max
GF-T3-1-300	0.001-0.3	1.40:1	1.40:1	0.6	30	±0.4	±4
GF-T3-10-500	0.01-0.5	1.40:1	1.40:1	1.2	24	±0.5	±4
GF-T3-10-1000	0.01-1	1.40:1	1.40:1	1.2	24	±0.5	±4
GF-T3-450-890	0.45-0.89	1.30:1	1.30:1	0.7	20	±0.5	±6
GF-T3-500-1000	0.5-0.1	1.40:1	1.40:1	0.8	20	±0.4	±4
GF-T3-800-1000	0.8-0.1	1.40:1	1.40:1	0.7	20	±0.3	±4
GF-T3-800-2200	0.8-2.2	1.40:1	1.25:1	0.8	20	±0.3	±4
GF-T3-800-2500	0.8-2.5	1.25:1	1.25:1	0.6	22	±0.35	±5
GF-T3-820-920	0.82-0.92	1.30:1	1.30:1	0.6	20	±0.2	±5
GF-T3-1000-2000	1-2	1.40:1	1.40:1	0.8	20	±0.3	±4
GF-T3-1700-2200	1.7-2.2	1.30:1	1.30:1	0.6	22	±0.35	±4
GF-T3-1700-2500	1.7-2.5	1.40:1	1.40:1	1.0	20	±0.3	±4
GF-T3-2000-4000	2-4	1.30:1	1.30:1	0.6	18	±0.3	±6
GF-T3-2000-8000	2-8	1.40:1	1.30:1	1.0	18	±0.6	±6
GF-T3-8000-18000	8-18	1.70:1	1.50:1	1.0	19	±0.5	±7

5. 4-Way 0°

P/N	Freq. Range (GHz)	Input VSWR Max	Output VSWR Max	Insertion Loss (dB)Max	Isolation (dB)Max	Amplitude Balance (dB)Max	Phase Balance (°)Max
GF-T4-1-200	0.001-0.2	1.30:1	1.30:1	1.2	20	±0.3	±10
GF-T4-1-500	0.001-0.5	1.30:1	1.30:1	1.5	20	±0.4	±8
GF-T4-10-1000	0.01-1	-	-	2.0	20	±0.5	±5
GF-T4-10-300	0.01-0.3	1.30:1	1.30:1	1.5	20	±0.4	±8
GF-T4-10-500	0.01-0.5	1.30:1	1.30:1	1.0	25	±0.5	±5
GF-T4-450-890	0.45-0.89	1.30:1	1.30:1	1.0	20	±0.5	±6
GF-T4-800-1000	0.8-1	1.30:1	1.30:1	0.7	22	±0.4	±8
GF-T4-800-1300	0.8-1.3	1.25:1	1.25:1	0.4	20	±0.3	±3
GF-T4-800-2000	0.8-2	1.30:1	1.30:1	1.0	20	±0.6	±6
GF-T4-800-2200	0.8-2.2	1.30:1	1.30:1	0.7	22	±0.35	±5
GF-T4-800-6000	0.8-6	1.50:1	1.40:1	1.8	18	±0.3	±4
GF-T4-500-2000	0.5-2	1.25:1	1.20:1	1.0	20	±0.3	±3
GF-T4-700-2700	0.7-2.7	1.35:1	1.35:1	0.9	20	±0.4	±7
GF-T4-800-2000	0.8-2	1.40:1	1.40:1	0.8	20	±0.4	±6
GF-T4-800-2500	0.8-2.5	1.40:1	1.40:1	0.8	20	±0.4	±6
GF-T4-800-6000	0.8-6	1.50:1	1.40:1	1.8	18	±0.3	±4
GF-T4-1000-2000	1-2	1.25:1	1.20:1	0.6	20	±0.3	±3
GF-T4-1000-4000	1-4	1.30:1	1.20:1	1.1	20	±0.3	±4
GF-T4-1000-8000	1-8	1.50:1	1.40:1	2.2	15	±0.35	±6
GF-T4-1000-12000	1-12	1.60:1	1.30:1	2.8	16	±0.5	±7
GF-T4-2000-4000	2-4	1.30:1	1.20:1	0.6	20	±0.3	±3
GF-T4-2000-6000	2-6	1.40:1	1.30:1	1.4	18	±0.4	±4
GF-T4-2000-8000	2-8	1.40:1	1.30:1	1.4	18	±0.4	±4
GF-T4-2000-18000	2-18	1.65:1	1.60:1	2.2	16	±0.6	±5
GF-T4-3400-6800	3.4-6.8	1.30:1	1.30:1	1.2	10	±0.5	±5
GF-T4-3700-4800	3.7-4.8	1.30:1	1.30:1	1.2	10	±0.5	±5
GF-T4-4000-6000	4-6	1.50:1	1.50:1	1.2	20	±0.6	±5
GF-T4-5800-7100	5.8-7.1	1.30:1	1.30:1	0.8	10	±0.5	±5
GF-T4-4000-8000	4-18	1.30:1	1.25:1	1.0	18	±0.3	±3
GF-T4-4000-18000	4-18	1.60:1	1.50:1	1.6	18	±0.5	±5
GF-T4-6000-18000	6-18	1.60:1	1.50:1	1.3	16	±0.5	±5
GF-T4-9000-9600	9-9.6	1.40:1	1.40:1	0.6	20	-	-

6. 5-Way 0°

P/N	Freq. Range (GHz)	Input VSWR Max	Output VSWR Max	Insertion Loss (dB)Max	Isolation (dB)Max	Amplitude Balance (dB)Max	Phase Balance (°)Max
GF-T5-1-300	0.001-0.3	-	-	2.0	18	±0.6	±8
GF-T5-5-500	0.005-0.5	-	-	2.0	18	±0.6	±8
GF-T5-806-824	0.806-0.824	1.35:1	1.35:1	1	18	±0.5	±8

7. 6-Way 0°

P/N	Freq. Range (GHz)	Input VSWR Max	Output VSWR Max	Insertion Loss (dB)Max	Isolation (dB)Max	Amplitude Balance (dB)Max	Phase Balance (°)Max
GF-T6-1-200	0.001-0.2	-	-	1.2	25	±0.6	±12
GF-T6-1-300	0.001-0.3	1.20:1	1.20:1	1.8	25	±0.4	±40
GF-T6-10-1000	0.01-1	2.0:1	2.0:1	3.2	18	±0.6	±8
GF-T6-800-1000	0.8-1	1.20:1	1.20:1	1.5	18	±0.5	±8
GF-T6-800-2000	0.8-2	1.60:1	1.60:1	1.6	18	±0.5	±8
GF-T6-800-2500	0.8-2.5	1.60:1	1.60:1	1.9	18	±0.9	±8
GF-T6-890-960	0.89-0.96	1.25:1	1.25:1	1.5	18	±0.6	±8
GF-T6-2000-6000	2-6	1.50:1	1.50:1	1.8	18	±1.0	±10
GF-T6-2000-8000	2-8	1.40:1	1.30:1	1.8	18	±0.4	±4
GF-T6-2400-6000	2.4-6	1.25:1	1.25:1	1.0	18	-	-
GF-T6-8000-18000	8-18	1.80:1	1.60:1	2.2	18	±0.8	-

8. 8-Way 0 °

P/N	Freq. Range (GHz)	Input VSWR Max	Output VSWR Max	Insertion Loss (dB)Max	Isolation (dB)Max	Amplitude Balance (dB)Max	Phase Balance (°)Max
GF-T8-0.5-175	0.0005-0.175	1.80:1	1.80:1	1.6	18	±0.3	±5
GF-T8-5-500	0.005-0.5	1.80:1	1.80:1	2.0	20	±0.7	±8
GF-T8-5-1000	0.005-1	1.80:1	1.80:1	2.7	15	±1.2	±13
GF-T8-400-3600	0.4-3.6	1.60:1	1.60:1	3.0	16	±0.5	±8
GF-T8-500-2000	0.5-2	1.40:1	1.20:1	1.5	20	±0.3	±3
GF-T8-800-1000	0.8-1	1.20:1	1.50:1	0.9	20	±0.5	
GF-T8-800-1300	0.8-1	1.25:1	1.25:1	0.8	20	±0.4	±5
GF-T8-800-2000	0.8-2	1.60:1	1.60:1	1.4	18	±0.6	±10
GF-T8-800-2500	0.8-2.5	1.60:1	1.60:1	1.4	18	±0.6	±10
GF-T8-1000-2000	1-2	1.30:1	1.20:1	1.0	20	±0.4	±5
GF-T8-1000-4000	1-4	1.35:1	1.25:1	1.5	20	±0.4	±4
GF-T8-1000-12400	1-12.4	1.80:1	1.80:1	4.0	15	±0.5	
GF-T8-2000-4000	2-4	1.30:1	1.20:1	0.8	20	±0.4	±5
GF-T8-2000-6000	2-6	1.45:1	1.45:1	1.9	18	±0.5	±8
GF-T8-2000-8000	2-8	1.60:1	1.30:1	1.9	18	±0.7	±7
GF-T8-3700-4200	3.7-4.2	1.60:1	1.60:1	0.8	25	±0.5	±8
GF-T8-4000-8000	4-8	1.50:1	1.25:1	1.2	18	±0.4	±4
GF-T8-6000-18000	6-18	1.80:1	1.6:1	2.2	18	±0.8	±10
GF-T8-9000-9600	9-9.6	1.50:1	1.50:1	1.5	16	-	-

9. 10-Way 0 °

P/N	Freq. Range (GHz)	Input VSWR Max	Output VSWR Max	Insertion Loss (dB)Max	Isolation (dB)Max	Amplitude Balance (dB)Max	Phase Balance (°)Max
GF-T10-0.5-100	0.0005-0.1	1.80:1	1.80:1	0.8	20	±0.4	±10
GF-T10-5-500	0.005-0.5	1.80:1	1.80:1	1.0	20	±0.6	±8
GF-T10-800-900	0.8-0.9	1.50:1	1.50:1	0.8	20	±0.6	±5
GF-T10-800-2000	0.8-2	1.50:1	1.50:1	1.0	20	±1.2	±5

10. 12-Way 0°

P/N	Freq. Range (GHz)	Input VSWR Max	Output VSWR Max	Insertion Loss (dB)Max	Isolation (dB)Max	Amplitude Balance (dB)Max	Phase Balance (°)Max
GF-T12-11500-12000	11.5-12	1.40:1	1.40:1	1.5	15	±0.15	±10
GF-T12-2000-8000	2-8	1.60:1	1.30:1	2.3	18	±1.0	±7
GF-T12-8000-18000	8-18	1.80:1	1.50:1	2.2	15	±0.8	±10

11. 13-Way 0°

P/N	Freq. Range (GHz)	Input VSWR Max	Output VSWR Max	Insertion Loss (dB)Max	Isolation (dB)Max	Amplitude Balance (dB)Max	Phase Balance (°)Max
GF-T13-10700-12750	10.7-12.75	1.50:1	1.50:1	0.25	17	±0.35	±5

12. 16-Way 0°

P/N	Freq. Range (GHz)	Input VSWR Max	Output VSWR Max	Insertion Loss (dB)Max	Isolation (dB)Max	Amplitude Balance (dB)Max	Phase Balance (°)Max
GF-T16-800-2000	0.8-2.0	1.70:1	1.70:1	2.0	18	±0.8	±15

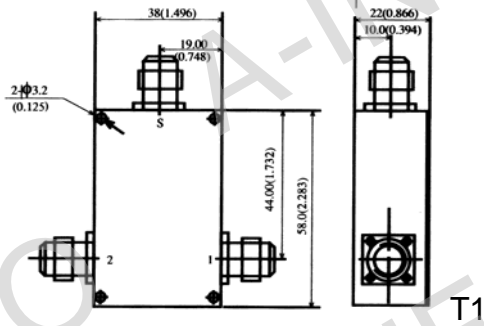
13. 24-Way 0°

P/N	Freq. Range (GHz)	Input VSWR Max	Output VSWR Max	Insertion Loss (dB)Max	Isolation (dB)Max	Amplitude Balance (dB)Max	Phase Balance (°)Max
GF-T24-0.2-100	0.0002-0.1	2.00:1	2.00:1	2.0	-	±0.5	-
GF-T24-1-200	0.001-0.2	2.00:1	2.00:1	1.5	25	±0.6	±5
GF-T24-3600-5100	3.6-5.1	1.30:1	1.30:1	2.5	22	±0.3	±5

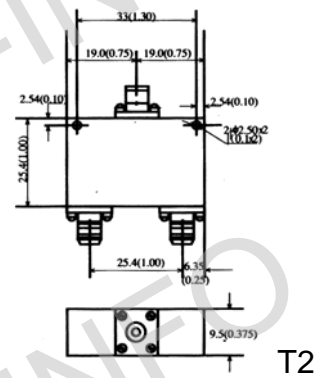
Notes: Customization is available

Outline Drawing – Power Divider - Connector

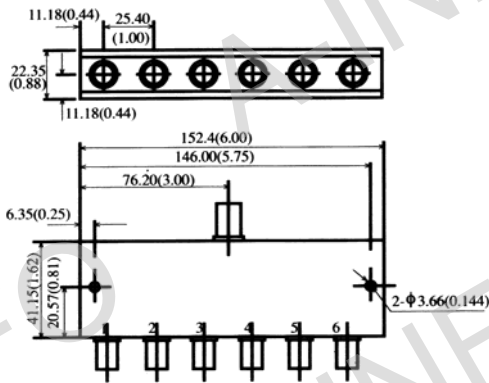
Size: mm(inch)



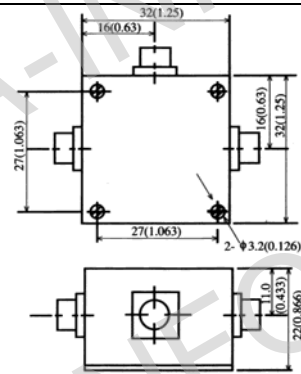
T1



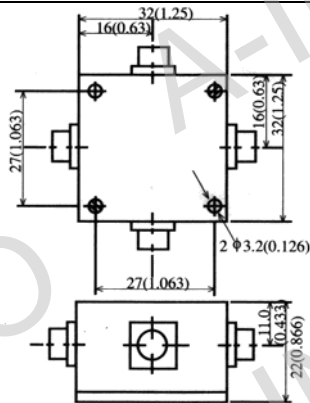
T2



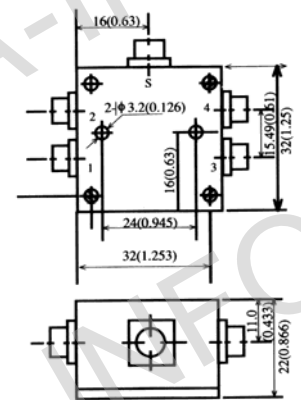
T3



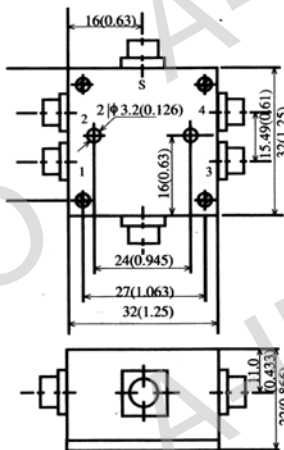
T12-3



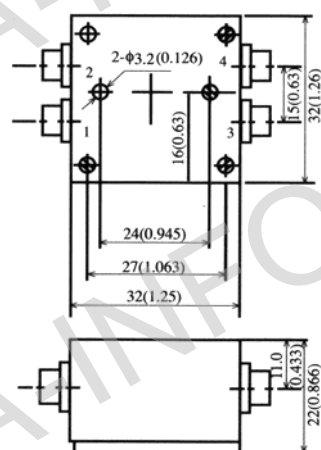
T12-4



T12-5

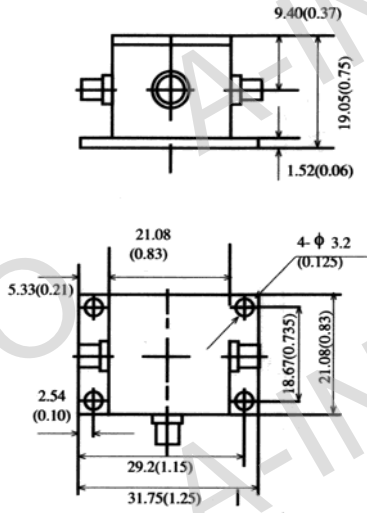


t12-6

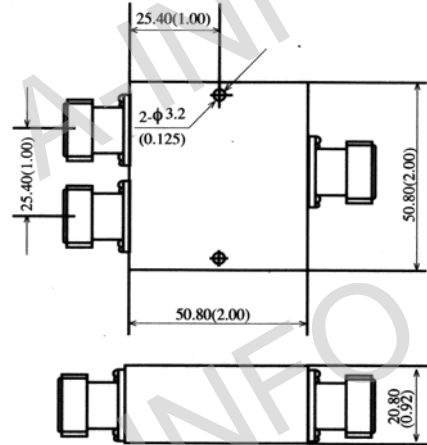


T12-8

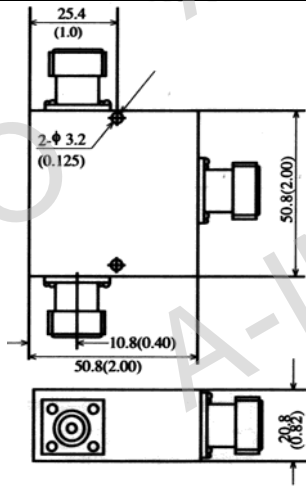
Size: mm(inch)



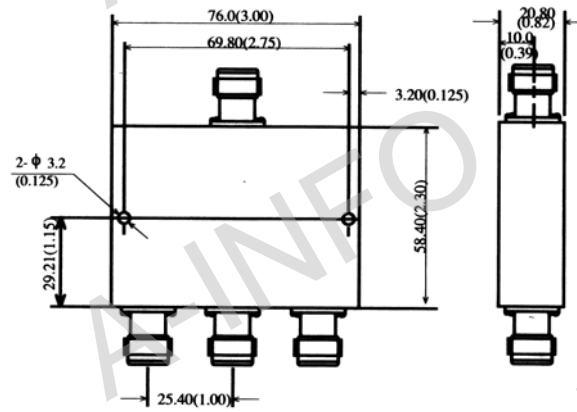
T14



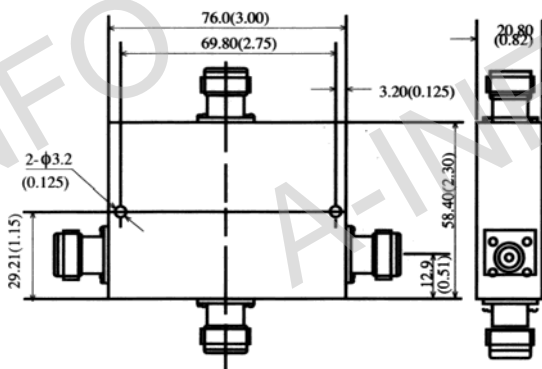
T15-1



T15-2

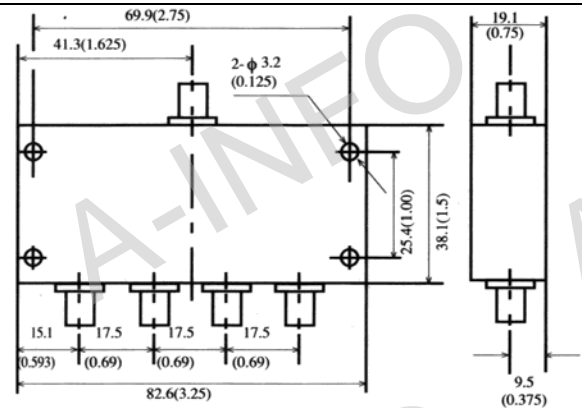


T16-1



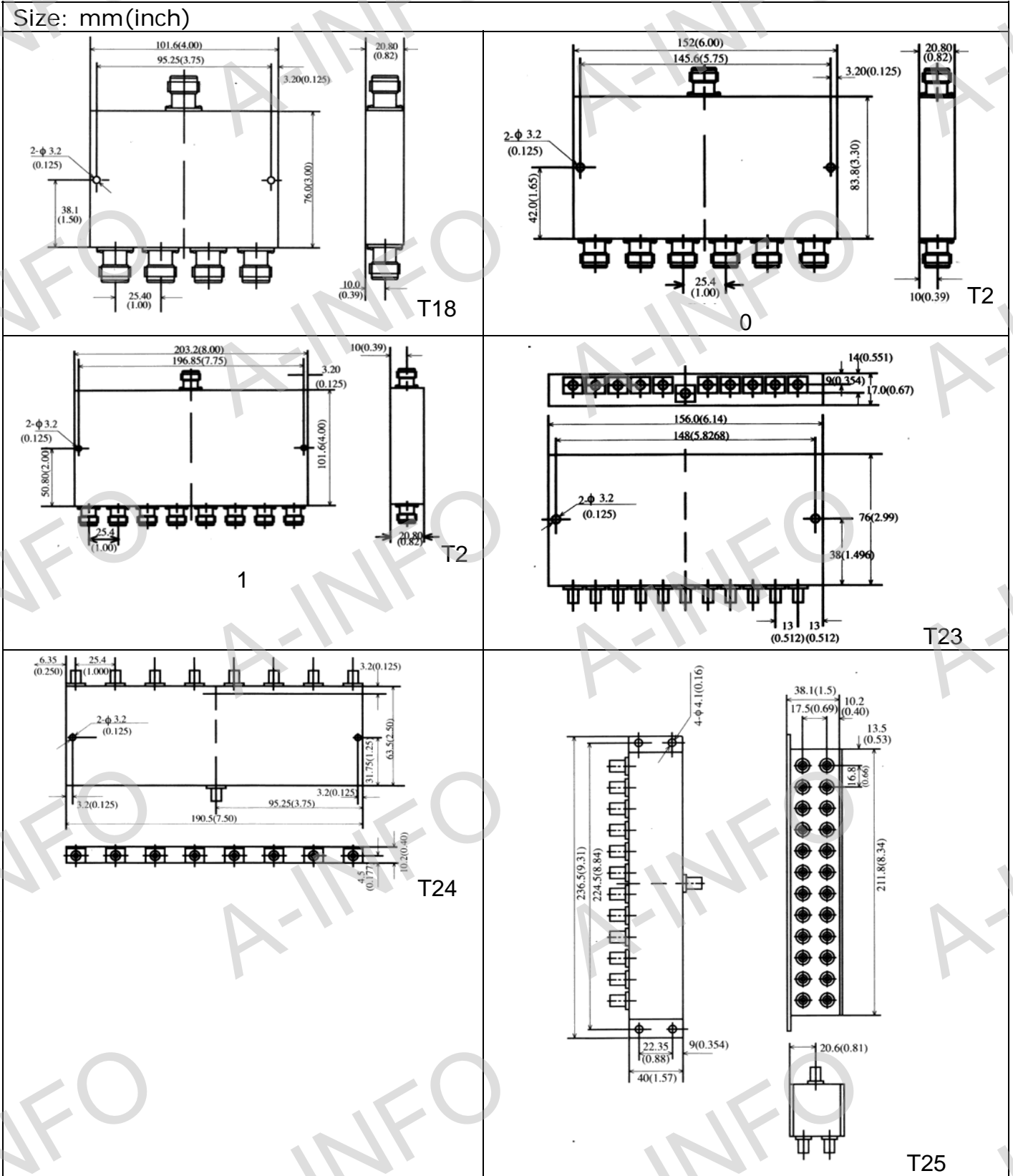
T16-

2

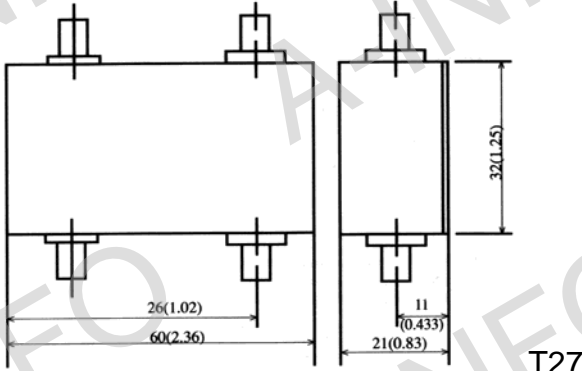


T17

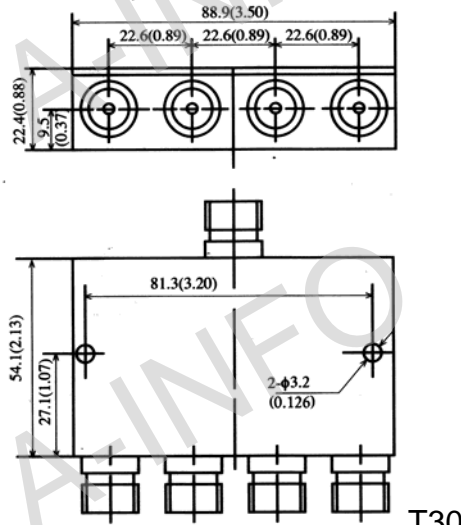
Size: mm(inch)



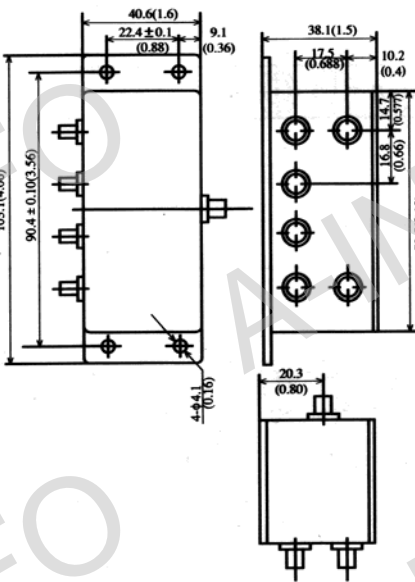
Size: mm(inch)



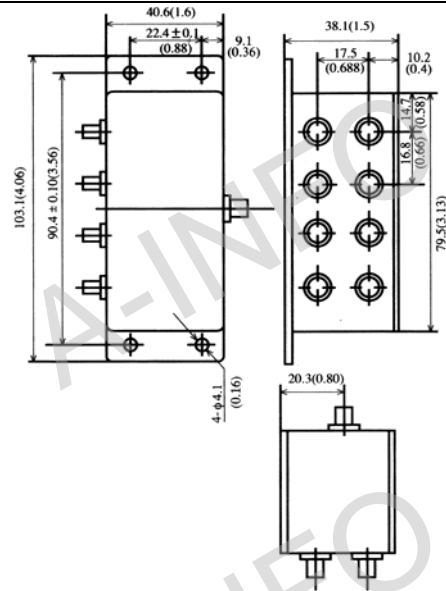
T27



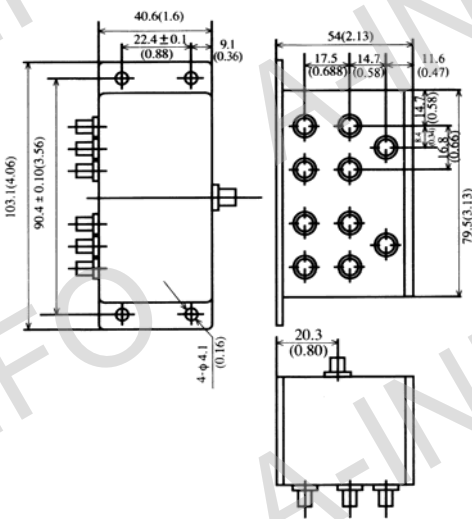
T30



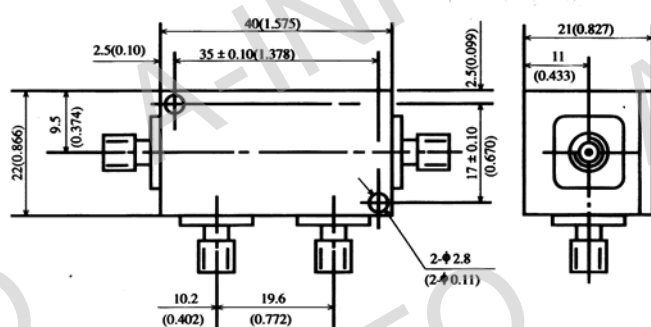
T31



T32



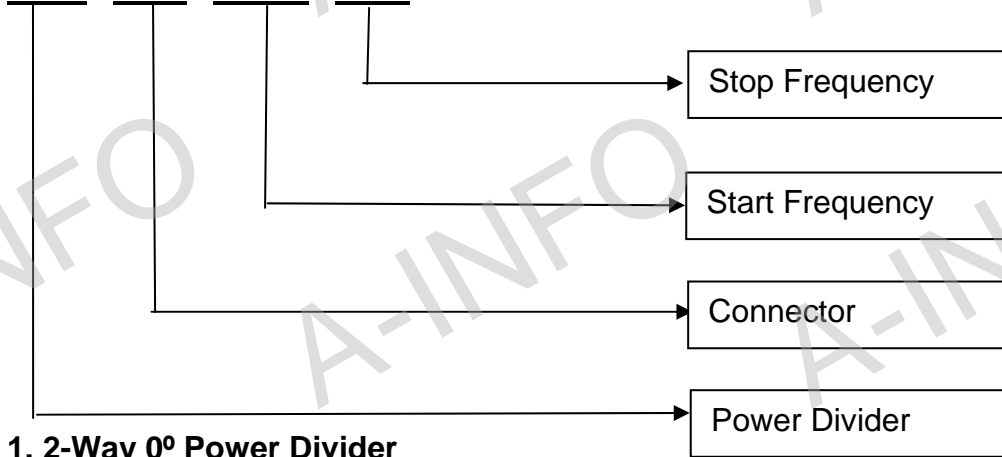
T33



T39

Ultra-Wideband Power Divider Explanation to P/N

GF-T2-0.3-18



1. 2-Way 0° Power Divider

P/N	Frequency Range (GHz)	Input VSWR Max	Output VSWR Max	Insertion Loss (dB)Max	Isolation (dB)Min	Amplitude Balance (dB) Max	Phase Balance (°) Max
GF-T2-03-18	0.3-18.0	1.40:1	1.50:1	3	17	±0.3	±3
GF-T2-03-26.5	0.3-26.5	1.40:1	1.50:1	4	16	±0.3	±4
GF-T2-04-8	0.4-2.0	1.50:1	1.40:1	0.5	16	±0.2	±1
	2.0-8.0	1.40:1	1.40:1	1	20	±0.2	±2
GF-T2-04-18	0.4-18.0	1.60:1	1.60:1	1.8	15@0.4-1.0GHz 18@1.0-18.0Ghz	±0.4	±4
GF-T2-04-26.5	0.4-2.0	1.60:1	1.40:1	0.5	16	±0.2	±1
	2.0-26.5	1.60:1	1.40:1	1.9	19	±0.3	±3
GF-T2-05-8	0.5-8.0	1.40:1	1.40:1	1	20	±0.2	±2
GF-T2-05-18	0.5-18.0	1.40:1	1.40:1	1.7	18	±0.3	±3
GF-T2-05-26.5	0.5-26.5	1.45:1	1.45:1	1.9	19	±0.3	±3
GF-T2-05-40	0.5-40.0	1.60:1	1.60:1	2.9	15	±0.5	±6
GF-T2-1-18	1.0-18.0	1.40:1	1.40:1	1.2	18	±0.2	±3
GF-T2-1-26.5	1.0-26.5	1.50:1	1.50:1	1.6	18	±0.3	±3
GF-T2-1-40	1.0-40.0	1.60:1	1.60:1	3	17	±0.4	±4
GF-T2-1-50	1.0-50.0	1.75:1	1.75:1	3.8	16	±0.5	±6
GF-T2-2-8	2.0-8.0	1.35:1	1.35:1	0.8	20	±0.2	±2
GF-T2-2-18	2.0-18.0	1.40:1	1.40:1	1	18	±0.3	±3
GF-T2-2-26.5	2.0-26.5	1.60:1	1.60:1	1.2	19	±0.3	±3
GF-T2-2-40	2.0-40.0	1.60:1	1.60:1	1.8	19	±0.4	±4

2-Way 0° Power Divider Continued

P/N	Frequency Range (GHz)	Input VSWR Max	Output VSWR Max	Insertion Loss (dB)Max	Isolation (dB)Min	Amplitude Balance (dB) Max	Phase Balance (°) Max
GF-T2-2-50	2.0-50.0	1.70:1	1.70:1	2.4	18	±0.5	±6
GF-T2-6-18	6.0-18.0	1.40:1	1.40:1	0.8	20	±0.2	±3
GF-T2-6-26.5	6.0-26.5	1.50:1	1.45:1	1.2	19	±0.3	±3
GF-T2-6-40	6.0-40.0	1.60:1	1.60:1	1.5	16	±0.4	±5
GF-T2-10-26.5	10.0-26.5	1.50:1	1.50:1	1.2	19	±0.3	±4
GF-T2-10-40	10.0-40.0	1.50:1	1.50:1	1.5	18	±0.4	±3
GF-T2-10-50	10.0-50.0	1.70:1	1.70:1	1.8	16	±0.5	±5
GF-T2-18-26.5	18.0-26.5	1.45:1	1.45:1	1.2	19	±0.3	±3
GF-T2-18-40	18.0-40.0	1.60:1	1.60:1	1.5	18	±0.4	±4
GF-T2-18-50	18.0-50.0	1.70:1	1.70:1	1.8	16	±0.6	±5
GF-T2-26.5-40	26.5-40.0	1.60:1	1.50:1	1.5	20	±0.3	±4
GF-T2-26.5-50	26.5-50.0	1.70:1	1.70:1	1.8	16	±0.5	±5

2. 4-Way 0° Power Divider

P/N	Frequency Range (GHz)	Input VSWR Max	Output VSWR Max	Insertion Loss (dB)Max	Isolation (dB)Min	Amplitude Balance (dB)Max	Phase Balance (°) Max
GF-T4-03-18	0.3-18.0	1.40:1	1.40:1	8.5	15@0.3-2.0GHz	±0.4	±4
					20@2.0-18GHz		
GF-T4-03-26.5	0.3-26.5	1.60:1	1.60:1	11.9	15@0.3-2.0GHz	±0.5	±6
					18@2.0-26.5GHz		
GF-T4-04-8	0.4-2.0	1.80:1	1.55:1	0.9	15	±0.2	±2
	2.0-8.0	1.55:1	1.55:1	2.0	19	±0.4	±4
GF-T4-04-18	0.4-18.0	1.80:1	1.60:1	4.2	15@0.4-1.0GHz	±0.5	±6
					18@1.0-18.0GHz		
GF-T4-04-26.5	0.4-26.5	1.80:1	1.60:1	5.4	15@0.4-1.0GHz	±0.5	±7
					18@1.0-26.5GHz		
GF-T4-05-8	0.5-2.0	1.40:1	1.40:1	0.9	15	±0.2	±2
	2.0-8.0	1.55:1	1.55:1	2.0	19	±0.4	±4

GF-T4-05-18	0.5-18.0	1.60:1	1.60:1	4	15@0.5-1.0GHz	±0.4	±5
					18@1.0-18.0GHz		
GF-T4-05-26.5	0.5-26.5	1.60:1	1.60:1	5.2	16	±0.6	±8
GF-T4-05-40	0.5-2.0	1.75:1	1.75:1	0.9	15	±0.2	±2
	2.0-40.0	1.75:1	1.75:1	7.5	17	±0.6	±7
GF-T4-1-18	1.0-18.0	1.50:1	1.50:1	2.5	15	±0.5	±6
GF-T4-1-26.5	1.0-26.5	1.60:1	1.60:1	3.2	16	±0.6	±8
GF-T4-1-40	1.0-40.0	1.70:1	1.70:1	5.4	16	±0.8	±9

4-Way 0° Power Divider Continued							
P/N	Frequency Range (GHz)	Input VSWR Max	Output VSWR Max	Insertion Loss (dB)Max	Isolation (dB)Min	Amplitude Balance (dB)Max	Phase Balance (°) Max
GF-T4-1-50	1.0-50.0	1.75:1	1.75:1	6.4	15	±0.8	±9
GF-T4-2-18	2.0-18.0	1.45:1	1.45:1	2.4	17	±0.5	±6
GF-T4-2-26.5	2.0-26.5	1.55:1	1.55:1	2.7	17	±0.6	±7
GF-T4-2-40	2.0-40.0	1.65:1	1.65:1	4.5	16	±0.8	±9
GF-T4-2-50	2.0-50.0	1.75:1	1.75:1	5.3	15	±0.9	±9
GF-T4-6-18	6.0-18.0	1.50:1	1.50:1	1.3	19	±0.6	±5
GF-T4-6-26.5	6.0-26.5	1.60:1	1.60:1	1.9	16	±0.6	±6
GF-T4-6-40	6.0-40.0	1.65:1	1.65:1	2.5	16	±0.7	±8
GF-T4-10-26.5	10-26.5	1.60:1	1.60:1	1.9	18	±0.5	±6
GF-T4-10-40	10.0-40.0	1.65:1	1.65:1	2.5	18	±0.7	±8
GF-T4-10-50	10.0-50.0	1.75:1	1.75:1	3.2	14	±0.8	±9
GF-T4-18-26.5	18.0-26.5	1.60:1	1.60:1	1.9	19	±0.6	±6
GF-T4-18-40	18.0-40.0	1.65:1	1.65:1	2.4	18	±0.7	±7
GF-T4-18-50	18.0-50.0	1.75:1	1.75:1	3.2	14	±0.8	±9

3. 8-Way 0° Power Divider

P/N	Frequency Range (GHz)	Input VSWR Max	Output VSWR Max	Insertion Loss (dB)Max	Isolation (dB)Min	Amplitude Balance (dB)Max	Phase Balance (°) Max
GF-T8-05-8	0.5-8.0	1.50:1	1.50:1	6.0	16	±0.5	±5
GF-T8-05-18	0.5-18.0	1.60:1	1.60:1	7.0	16	±0.7	±6
GF-T8-05-26.5	0.5-26.5	1.60:1	1.60:1	8.0	14	±0.8	±9
GF-T8-1-18	1.0-18.0	1.70:1	1.70:1	5.5	14	±0.5	±8
GF-T8-1-26.5	1.0-26.5	1.75:1	1.75:1	6.2	14	±0.6	±9
GF-T8-1-40	1.0-40.0	1.80:1	1.80:1	7.0	15	±0.9	±8
GF-T8-1-50	1.0-50.0	1.85:1	1.85:1	8.0	14	±0.9	±9

GF-T8-2-18	2.0-18.0	1.60:1	1.60:1	4.0	16	±0.6	±6
GF-T8-2-26.5	2.0-26.5	1.75:1	1.75:1	4.5	15	±0.7	±7
GF-T8-2-40	2.0-40.0	1.80:1	1.80:1	5.5	14	±0.8	±9
GF-T8-2-50	2.0-50.0	1.85:1	1.85:1	6.0	13	±0.9	±9
GF-T8-6-18	6.0-18.0	1.65:1	1.65:1	2.6	16	±0.6	±6
GF-T8-6-26.5	6.0-26.5	1.65:1	1.65:1	2.8	15	±0.8	±6
GF-T8-6-40	6.0-40.0	1.75:1	1.75:1	3.6	13	±0.9	±8
GF-T8-10-26.5	10.0-26.5	1.70:1	1.70:1	3.0	16	±0.6	±6
GF-T8-10-40	10.0-40.0	1.75:1	1.75:1	3.6	14	±0.9	±8
GF-T8-18-26.5	18.0-26.5	1.65:1	1.65:1	2.5	18	±0.6	±6
GF-T8-18-40	18.0-40.0	1.70:1	1.70:1	3.6	17	±0.8	±7

4. 16-Way 0° Power Divider

P/N	Frequency Range (GHz)	Input VSWR Max	Output VSWR Max	Insertion Loss (dB)Max	Isolation (dB)Min	Amplitude Balance (dB)Max	Phase Balance (°) Max
GF-T16-6-18	6.0-18.0	1.65:1	1.65:1	3.6	16	±0.8	±8
GF-T16-6-26.5	6.0-26.5	1.70:1	1.70:1	4.0	16	±0.9	±9
GF-T16-6-40	6.0-40.0	1.80:1	1.80:1	5.2	15	±0.9	±9
GF-T16-10-26.5	10.0-26.5	1.70:1	1.70:1	4.0	18	±0.8	±8
GF-T16-10-40	10.0-40.0	1.80:1	1.80:1	5.2	16	±0.9	±9
GF-T16-18-26.5	18.0-26.5	1.70:1	1.70:1	4.0	18	±0.8	±8
GF-T16-18-40	18.0-40.0	1.80:1	1.80:1	5.2	16	±0.9	±9

Notes: Customization is available

Notes: Customization is available

Return Loss Vs. VSWR

Table of return loss Vs. Voltage standing wave ratio

RETURN LOSS (dB)	VSWR	RETURN LOSS (dB)	VSWR	RETURN LOSS (dB)	VSWR	RETURN LOSS (dB)	VSWR	RETURN LOSS (dB)	VSWR
46.064	1.01	13.842	1.51	9.485	2.01	7.327	2.51	5.999	3.01
40.086	1.02	13.708	1.52	9.428	2.02	7.294	2.52	5.970	3.02
36.607	1.03	13.577	1.53	9.372	2.03	7.262	2.53	5.956	3.03
34.151	1.04	13.449	1.54	9.317	2.04	7.230	2.54	5.935	3.04
32.256	1.05	13.324	1.55	9.262	2.05	7.198	2.55	5.914	3.05
30.714	1.06	13.201	1.56	9.208	2.06	7.167	2.56	5.893	3.06
29.417	1.07	13.081	1.57	9.155	2.07	7.135	2.57	5.872	3.07
28.299	1.08	12.964	1.58	9.103	2.08	7.105	2.58	5.852	3.08
27.318	1.09	12.849	1.59	9.051	2.09	7.074	2.59	5.832	3.09
26.444	1.10	12.736	1.60	8.999	2.10	7.044	2.60	5.811	3.10
25.658	1.11	12.625	1.61	8.949	2.11	7.014	2.61	5.791	3.11
24.943	1.12	12.518	1.62	8.899	2.12	6.984	2.62	5.771	3.12
24.289	1.13	12.412	1.63	8.849	2.13	6.954	2.63	5.751	3.13
23.686	1.14	12.308	1.64	8.800	2.14	6.925	2.64	5.732	3.14
23.127	1.15	12.207	1.65	8.752	2.15	6.896	2.65	5.712	3.15
22.607	1.16	12.107	1.66	8.705	2.16	6.867	2.66	5.693	3.16
22.120	1.17	12.009	1.67	8.657	2.17	6.839	2.67	5.674	3.17
21.664	1.18	11.913	1.68	8.611	2.18	6.811	2.68	5.654	3.18
21.234	1.19	11.818	1.69	8.565	2.19	6.783	2.69	5.635	3.19
20.828	1.20	11.725	1.70	8.519	2.20	6.755	2.70	5.617	3.20
20.443	1.21	11.634	1.71	8.474	2.21	6.728	2.71	5.598	3.21
20.079	1.22	11.545	1.72	8.430	2.22	6.700	2.72	5.579	3.22
19.732	1.23	11.457	1.73	8.386	2.23	6.673	2.73	5.561	3.23
19.401	1.24	11.370	1.74	8.342	2.24	6.646	2.74	5.542	3.24
19.085	1.25	11.285	1.75	8.299	2.25	6.620	2.75	5.524	3.25
18.783	1.26	11.202	1.76	8.257	2.26	6.594	2.76	5.506	3.26
18.493	1.27	11.120	1.77	8.215	2.27	6.567	2.77	5.488	3.27
18.216	1.28	11.039	1.78	8.173	2.28	6.541	2.78	5.470	3.28
17.949	1.29	10.960	1.79	8.138	2.29	6.516	2.79	5.452	3.29
17.690	1.30	10.881	1.80	8.091	2.30	6.490	2.80	5.435	3.30
17.445	1.31	10.804	1.81	8.051	2.31	6.465	2.81	5.417	3.31
17.207	1.32	10.729	1.82	8.011	2.32	6.440	2.82	5.400	3.32
16.977	1.33	10.654	1.83	7.972	2.33	6.415	2.83	5.383	3.33
16.755	1.34	10.581	1.84	7.933	2.34	6.390	2.84	5.365	3.34
16.540	1.35	10.509	1.85	7.894	2.35	6.366	2.85	5.348	3.35
16.332	1.36	10.437	1.86	7.856	2.36	6.341	2.86	5.331	3.36
16.131	1.37	10.367	1.87	7.818	2.37	6.317	2.87	5.315	3.37
15.936	1.38	10.298	1.88	7.781	2.38	6.293	2.88	5.298	3.38
15.747	1.39	10.230	1.89	7.744	2.39	6.270	2.89	5.281	3.39
15.563	1.40	10.163	1.90	7.707	2.40	6.246	2.90	5.265	3.40
15.385	1.41	10.097	1.91	7.671	2.41	6.223	2.91	5.248	3.41
15.211	1.42	10.032	1.92	7.635	2.42	6.200	2.92	5.232	3.42
15.043	1.43	9.968	1.93	7.599	2.43	6.177	2.93	5.216	3.43
14.879	1.44	9.904	1.94	7.564	2.44	6.154	2.94	5.200	3.44
14.719	1.45	9.842	1.95	7.529	2.45	6.131	2.95	5.184	3.45
14.564	1.46	9.780	1.96	7.494	2.46	6.109	2.96	5.168	3.46
14.412	1.47	9.720	1.97	7.460	2.47	6.086	2.97	5.152	3.47
14.264	1.48	9.660	1.98	7.426	2.48	6.064	2.98	5.137	3.48
14.120	1.49	9.601	1.99	7.393	2.49	6.042	2.99	5.121	3.49
13.979	1.50	9.542	2.00	7.360	2.50	6.021	3.00	5.105	3.50

dBm-Volts-Watts Conversion

(50-ohm system)

dBm	V	Po	dBm	V	Po	dBm	mV	Po	dBm	μV	Po
+53	100.0	200W	0	.225	1.0 mW	-49	0.80		-98	2.9	
+50	70.7	100W	-1	.200	.80 mW	-50	0.71	.01 mW	-99	2.51	
+49	64.0	80W	-2	.180	.64 mW	-51	0.64		-100	2.25	.1 pW
+48	58.0	64W	-3	.160	.50 mW	-52	0.57		-101	2.0	
+47	50.0	50W	-4	.141	.40 mW	-53	0.50		-102	1.8	
+46	44.5	40W	-5	.125	.32 mW	-54	0.45		-103	1.6	
+45	40.0	32W	-6	.115	.25 mW	-55	0.40		-104	1.41	
+44	32.5	25W	-7	.100	.20 mW	-56	0.351		-105	1.27	
+43	32.0	20W	-8	.090	.16 mW	-57	0.32		-106	1.18	
+42	28.0	16W	-9	.080	.125 mW	-58	0.286				
+41	26.2	12.5W	-10	.071	.10 mW	-59	0.251		dBm	nV	
+40	22.5	10W	-11	.064		-60	0.225	.001 mW	-107	1000	
+39	20.0	8W	-12	.058		-61	0.200		-108	900	
+38	18.0	6.4W	-13	.050		-62	0.180		-109	800	
+37	16.0	5W	-14	.045		-63	0.160		-110	710	.01 pW
+36	14.1	4W	-15	.040		-64	0.141		-109	640	
+35	12.5	3.2W	-16	.0355					-112	580	
+34	11.5	2.5W				dBm	μV		-113	500	
+33	10.0	2W	dBm	mV		-65	128		-114	450	
+32	9.0	1.6W	-17	31.5		-66	115		-115	400	
+31	8.0	1.25W	-18	28.5		-67	100		-116	355	
+30	7.10	1.0W	-19	25.1		-68	90		-117	825	
+29	6.40	800 mW	-20	22.5	.01 mW	-69	80		-118	285	
+28	5.80	640 mW	-21	20.0		-70	71	.1nW	-119	251	
+27	5.00	500 mW	-22	17.9		-71	65		-120	225	.001 pW
+26	4.45	400 mW	-23	15.9		-72	58		-121	200	
+25	4.00	320 mW	-24	14.1		-73	50		-122	180	
+24	3.55	250 mW	-25	12.8		-74	45		-123	160	
+23	3.20	200 mW	-26	11.5		-75	40		-124	141	
+22	2.80	160 mW	-27	10.0		-76	35		-125	128	
+21	2.52	125 mW	-28	8.9		-77	32		-126	117	
+20	2.25	100 mW	-29	8.0		-78	29		-127	100	
+19	2.00	80 mW	-30	7.1	.001mW	-79	25		-128	90	
+18	1.80	64 mW	-31	6.25		-80	22.5	.01 nW	-129	80	.1fW
+17	1.60	50 mW	-32	5.8		-81	20.0		-130	71	
+16	1.41	40 mW	-33	5.0		-82	18.0		-131	61	
+15	1.25	32 mW	-34	4.5		-83	16.0		-132	58	
+14	1.15	25 mW	-35	4.0		-84	11.1		-133	50	
+13	1.00	20 mW	-36	3.5		-85	12.9		-134	45	
+12	.90	16 mW	-37	3.2		-86	11.5		-135	40	
+11	.80	12.5 mW	-38	2.85		-87	10.0		-136	35	
+10	.71	10 mW	-39	2.5		-88	9.0		-137	33	
+9	.64	8 mW	-40	2.25	.1mW	-89	8.0		-138	29	
+8	.58	6.4 mW	-41	2.0		-90	7.1	.001 nW	-139	25	
+7	.500	5 mW	-42	1.8		-91	6.1		-140	23	.01fW
+6	.445	4 mW	-43	1.6		-92	5.75				
+5	.400	3.2 mW	-44	1.4		-93	5.0				
+4	.355	2.5 mW	-45	1.25		-94	4.5				
+3	.320	2.0 mW	-46	1.18		-95	4.0				
+2	.280	1.6 mW	-47	1.00		-96	3.51				
+1	.252	1.25 mW	-48	0.90		-97	3.2				

AINFO Inc.

Contact us (Beijing office)

Address: Suite# 406, Building #5, #1 Nongda South Road,
Haidian District, Beijing, China. Post Code:100084

Tel: +86-10-6266-7326, +86-10-6266-7327

Fax: +86-10-6266-7379

Website: www.ainfoinc.com www.ainfoinc.cn

Email: sales@ainfoinc.com

AINFO Inc.

Contact us (Chengdu office)

Address: Floor#2, Building#3, #5 Gaopeng East Road,
Chengdu, China. Post Code:610041

Tel: +86-28-8519-2786, +86-130-600-15760

Fax: +86-28-8619-3068

Website: www.ainfoinc.com www.ainfoinc.cn

Email: sales@ainfoinc.com